

# Parameters

XXXXXXXXXXXX ZXC New Material Technology Co., Ltd. XXXX XXXXXXXXXXXXXXXXXXXXXXXXXXXX XXXXXXXX,  
 XXXXXXXXXXXXXXXXXXXXXXXXXXXX, XXXXXXXXXXXXXXXXXXXXXXXXXXXX XXXXXXXXXXXXXXXXXXXXXXXXXXXX OEM

XXXXXXXXX XXXXXXXX XXXXXXXXXXXXXXXXXXXXXXXXXXXX XXXXXXX XXXXX XXXXXXXX XXXXXXXX  
 XXX

XX  
 XXX  
 XXXXXXXX ( [XXXXXXXXXXXXXXXXXXXX upvc XXXXXXXXXXXXXXX](#) )

XXXXXXXXXXXXXXXXXXXX	XXXXXXXXXXXX 5 XXX
XXXXXXXXXXXXXXXXXXXXXXXXXXXX	XX
XX	XXXXXXXXXX
XXXXXXXXXXXXXXXXXXXX	XXXXXXXXXX/XXXXXXXXXXXXXXXXXXXX
XXXXXXXXXXXXXXXXXXXX	XXXXXXXXXXXX
XXXXXXXXXXXXXXXXXXXX	XXXXXXXXXXXX, XXXX
XXXXXXXXXXXXXXXXXXXX	XXXXXXXXXXXXXXXXXXXX
XXXXXXXXXXXXXXXXXXXX	XXXXXXXXXXXXXXXXXXXXXXXXXXXX
XXXXXX	PVC
XXXXXXXXXXXX	XXXXXXXXXXXX
XXXXXX	XXXXXXXXXXXXXXXXXXXX
XXXXXXXXXXXXXXXXXXXX	XXXXXXXXXXXXXXXXXXXXXXXXXXXXXXXXXXXX
XXXXXXXXXXXXXXXXXXXX	XXXXXXXXXXXX 5 XXX
XXXXXXXXXXXXXXXXXXXX	14XXX.x 16XXX.18XXX.x 20XXX.25XXX.x 28XXX
XXXXXX	XXXXXXXXXXXXXXXXXXXXXXXXXXXX

# QUALITY RAIN GUTTER

Made of PVC, resistant to pressure and corrosion, durable

Feeding gutter | planting gutter | incubation gutter | rain gutter



Trust comes from quality

## PRODUCT FEATURE DISPLAY



01

**new raw material**

Using high-quality raw materials, no recycled materials, green environmental protection, long life



02

**Thickened load-bearing**

PVC material has strong bending resistance and impact toughness



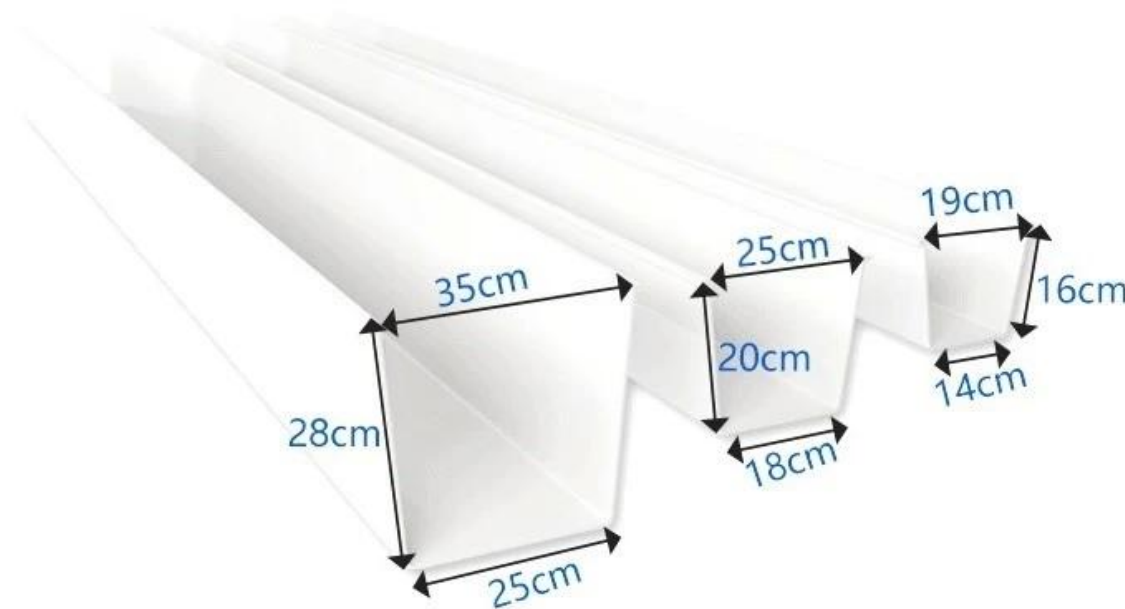
03

**Resistance corrosion**

Long-term resistance to chemical substances such as acid, alkali and salt corrosion

Trust comes from quality

# Product Information



\*所有尺寸均以毫米为单位

规格	长度	重量
14mm	14mm, 16mm	每米重量 (kg/m)
19mm	19mm, 2.5mm	
20mm	18mm, 20mm	
25mm	25mm, 2.8mm	
28mm	25mm, 28mm	
35mm	35mm, 3.8mm	

所有尺寸均以毫米为单位

## Accessories

Trust comes from quality

# RAIN GUTTER ACCESSORIES

Complete accessories, selected quality



Joiner



End cap



90° angle



Drop outlet



Drain end cap

Advantage

# IT'S ALL RAIN GUTTERS, WHY ARE WE MORE PROFESSIONAL?

## PRODUCT COMPARISON

### ZHONGXINGCHENG RAIN GUTTERS



### OTHER PEOPLE'S FACTORY GUTTER RAIN GUTTER



2.5mm thickened small sink

4.5mm thickened large sink



Standard 2.5,  
maximum thickness 4.5



160 gutter with a thickness of 2.2m



The thickness is only 2.2,  
which is not durable



New imported raw materials



Recycled material, low cost



Excellent workmanship,  
not afraid of trampling



Cut corners and  
be easily damaged

Trust comes from quality

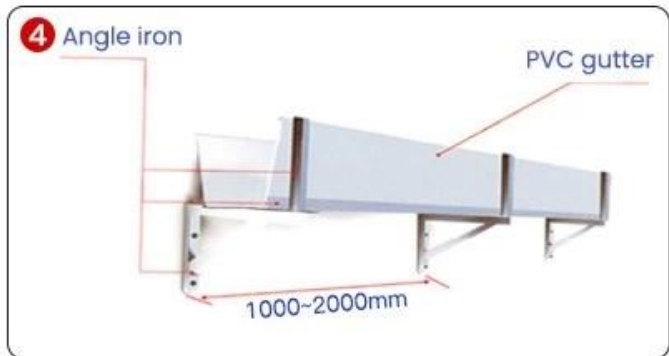
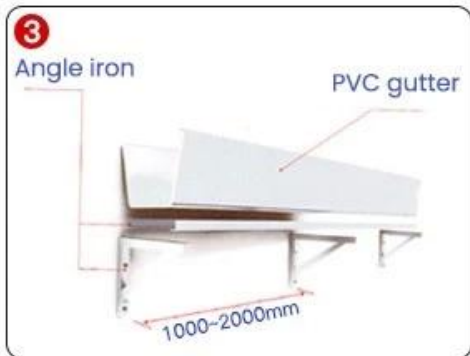
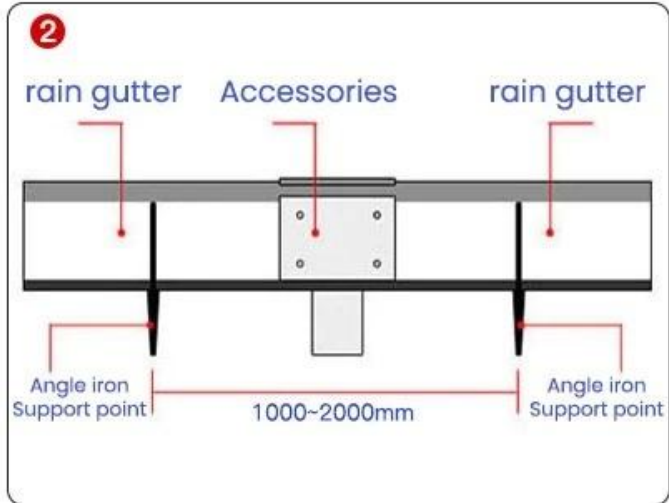
## GLASS GLUE PORTABLE INSTALLATION

Quick installation in 2 minutes  
Compared with traditional fixed rivets,  
it saves time, effort and worry



Trust comes from quality

# INSTALLATION INSTRUCTIONS



1. 安裝前請先檢查屋頂是否平整，如有凹凸不平之處，請先進行修補。安裝時，請將雨水槽與屋頂之間的縫隙填滿，以確保雨水槽與屋頂緊密貼合。雨水槽的安裝坡度應為 1.5-1.8%，以確保雨水能順利排出。

2. 雨水槽的安裝應避開屋頂的排水口，以免雨水倒灌。安裝時，請將雨水槽與屋頂之間的縫隙填滿，以確保雨水槽與屋頂緊密貼合。

3. 雨水槽的安裝應避開屋頂的排水口，以免雨水倒灌。安裝時，請將雨水槽與屋頂之間的縫隙填滿，以確保雨水槽與屋頂緊密貼合。

4. 雨水槽的安裝應避開屋頂的排水口，以免雨水倒灌。安裝時，請將雨水槽與屋頂之間的縫隙填滿，以確保雨水槽與屋頂緊密貼合。50%

5. 雨水槽的安裝應避開屋頂的排水口，以免雨水倒灌。安裝時，請將雨水槽與屋頂之間的縫隙填滿，以確保雨水槽與屋頂緊密貼合。18



# Project

Trust comes from quality

# Real case, real power

Selected engineering cases







Trust comes from quality

# THE PRODUCT IS VERY VERSATILE

Versatility leads to creative life



Family daily use



The villa receives water



Breeding gutters



Factory drainage



Agricultural irrigation



Planting hydroponics

Our Factory

# 12 YEARS OF FOCUS ON GUTTER TECHNOLOGY

...

Trust comes from quality

## SOURCE MANUFACTURER QUALITY ASSURANCE

"Win tomorrow with the trust of quality"



<b>12years</b> of industry experience	<b>34840m<sup>2</sup></b> meters of factory area	<b>25,000m</b> average daily output
--	---	--

# Certificate

Trust comes from quality

# AUTHORITATIVE ORGANIZATION INSPECTION

There is a certificate and guarantee and only with strength can you rest assured





**1.Q: 如何選擇合適的材質？**

答： 根據不同的使用環境，我們提供 PVC, 硬 PVC, 軟 PVC, PPR 等不同的材質。

**2.Q: 工廠地址在哪里？**

答： 我們工廠位於中國廣東省佛山市南海區丹灶鎮橫江新橋路  
門牌10號。

**3.Q: 你們提供哪些規格和尺寸？**

答： 我們提供：

- (1) 各種規格尺寸 (直徑 x 壁厚 x 長度, 米)
- (2) 各種顏色
- (3) 各種壁厚

**4.Q: 你們提供哪些樣品和測試報告？**

答： 我們提供樣品和測試報告。

**5.Q: 你們的支付條件是什麼？**

答： 我們提供 T/T 或 L/C 的支付條件，30% 預付款 T/T, Western Union

**6.Q: 你們的交付時間是多久？**

答： 我們提供 5 天內交付，並提供免費的樣品和測試報告。  
我們也提供現貨供應。

**7.Q: 你們提供哪些包裝和運輸服務？**

答： 我們提供各種包裝和運輸服務，包括散裝、箱裝、桶裝等。我們也提供免費的包裝和運輸服務。

**8.Q: 你們提供哪些認證和許可證？**

答： 我們提供 ISO 9001 認證和各種許可證。