

QUALITY RAIN GUTTER

Made of PVC, resistant to pressure and corrosion, durable

Feeding gutter | planting gutter | incubation gutter | rain gutter



Trust comes from quality

PRODUCT FEATURE DISPLAY



01

new raw material

Using high-quality raw materials, no recycled materials, green environmental protection, long life



02

Thickened load-bearing

PVC material has strong bending resistance and impact toughness



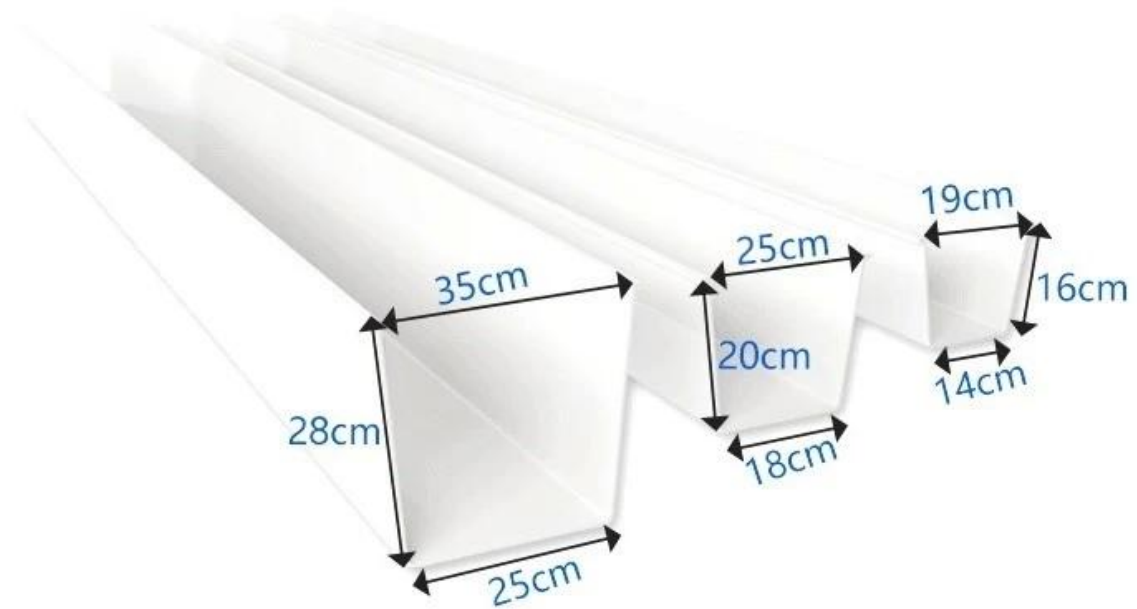
03

Resistance corrosion

Long-term resistance to chemical substances such as acid, alkali and salt corrosion

Trust comes from quality

Product Information



* 所有尺寸均以毫米为单位

规格	长度	重量
14mm x 16mm	14m, 16m, 19m	2.5kg
18mm x 20mm	18m, 20m, 25m	2.8kg
25mm x 28mm	25m, 28m, 35m	3.8kg

所有尺寸均以毫米为单位 **PVC** 材质

Accessories

Trust comes from quality

RAIN GUTTER ACCESSORIES

Complete accessories, selected quality



Joiner



End cap



90° angle



Drop outlet



Drain end cap

Advantage

IT'S ALL RAIN GUTTERS, WHY ARE WE MORE PROFESSIONAL?

PRODUCT COMPARISON

ZHONGXINGCHENG RAIN GUTTERS



OTHER PEOPLE'S FACTORY GUTTER RAIN GUTTER



2.5mm thickened small sink

4.5mm thickened large sink



Standard 2.5,
maximum thickness 4.5



160 gutter with a thickness of 2.2m



The thickness is only 2.2,
which is not durable



New imported raw materials



Recycled material, low cost



Excellent workmanship,
not afraid of trampling



Cut corners and
be easily damaged

Trust comes from quality

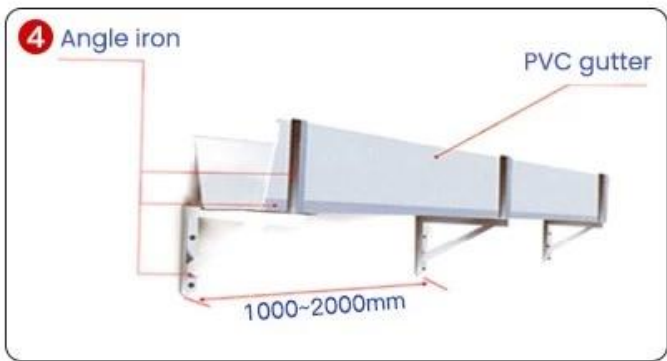
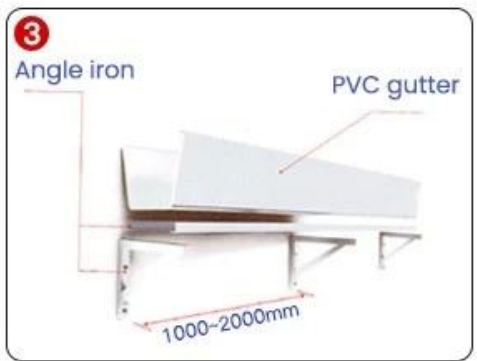
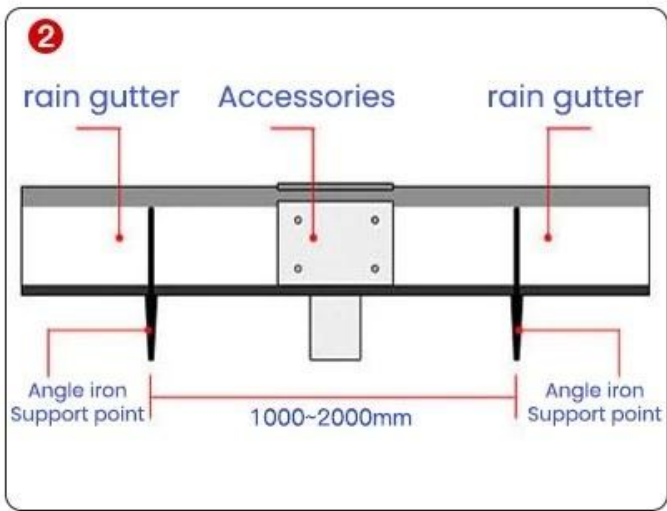
GLASS GLUE PORTABLE INSTALLATION

Quick installation in 2 minutes
Compared with traditional fixed rivets,
it saves time, effort and worry



Trust comes from quality

INSTALLATION INSTRUCTIONS



1. 安裝前請先檢查所有零件是否齊全，並請將安裝位置之屋頂表面清潔乾淨，如有必要，請將屋頂表面塗上防腐漆，待其乾燥後再行安裝。安裝時，請將 PVC 排水槽與屋頂表面之接觸面塗上防銹膠，以確保其密封性。安裝後，請檢查排水槽之坡度，應為 1.5-1.8%。

2. 安裝時，請將 PVC 排水槽與屋頂表面之接觸面塗上防銹膠，以確保其密封性。

3. 安裝時，請將 PVC 排水槽與屋頂表面之接觸面塗上防銹膠，以確保其密封性。

4. 安裝時，請將 PVC 排水槽與屋頂表面之接觸面塗上防銹膠，以確保其密封性。安裝後，請檢查排水槽之坡度，應為 50%。

5. 安裝時，請將 PVC 排水槽與屋頂表面之接觸面塗上防銹膠，以確保其密封性。安裝後，請檢查排水槽之坡度，應為 18%。

Project

Trust comes from quality

Real case, real power

Selected engineering cases







Trust comes from quality

THE PRODUCT IS VERY VERSATILE

Versatility leads to creative life



Family daily use



The villa receives water



Breeding gutters



Factory drainage



Agricultural irrigation



Planting hydroponics

Our Factory

12 YEARS

OF FOCUS ON GUTTER TECHNOLOGY

...

Trust comes from quality

SOURCE MANUFACTURER QUALITY ASSURANCE

"Win tomorrow with the trust of quality"



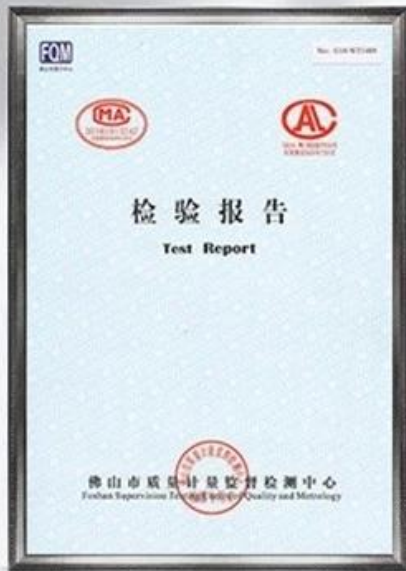
12years of industry experience	34840m² meters of factory area	25,000m average daily output
--	---	--

Certificate

Trust comes from quality

AUTHORITATIVE ORGANIZATION INSPECTION

There is a certificate and guarantee and only with strength can you rest assured



FAQ

1.Q: 如何選擇合適的管徑和壁厚？

答：根據設計流量、管長、管徑、管壁厚度、管材料 PVC, 鋼管 PVC, 鋼管 PPR 等參數進行計算。

2.Q: 如何選擇合適的管材料？

答：根據工程要求、管長、管徑、管壁厚度、管材料 Foshan City, Nanhai District, Danzao Town, Hengjiang New Road 等參數進行選擇。10 年。

3.Q: 如何選擇合適的管材料？

答：

(1) 管材料 (管徑 x 管長 x 管壁厚度, 管材料)

(2) 管

(3) 管材料

4.Q: 如何選擇合適的管材料？

答：管材料

5.Q: 如何選擇合適的管材料？

答：管材料 T/T 管材料 L/C 管材料 30% 管材料 T/T, Western Uion

6.Q: 如何選擇合適的管材料？

答：管材料 5 年 管材料

管材料 管材料

7.Q: 如何選擇合適的管材料？

答：管材料 管材料 管材料

8.Q: 如何選擇合適的管材料？

答：管材料 15 管材料