

Parameters

ZXC New Material Technology Co.,
 OEM

PVC

| | |
|--|-------------------------|
| | 5 |
| | |
| | |
| | |
| | |
| | |
| | |
| | |
| | |
| | PVC |
| | |
| | |
| | |
| | 5 |
| | 14.x 16.18.x 20.25.x 28 |
| | |

QUALITY RAIN GUTTER

Made of PVC, resistant to pressure and corrosion, durable

Feeding gutter | planting gutter | incubation gutter | rain gutter



Trust comes from quality

PRODUCT FEATURE DISPLAY



01

new raw material

Using high-quality raw materials, no recycled materials, green environmental protection, long life



02

Thickened load-bearing

PVC material has strong bending resistance and impact toughness



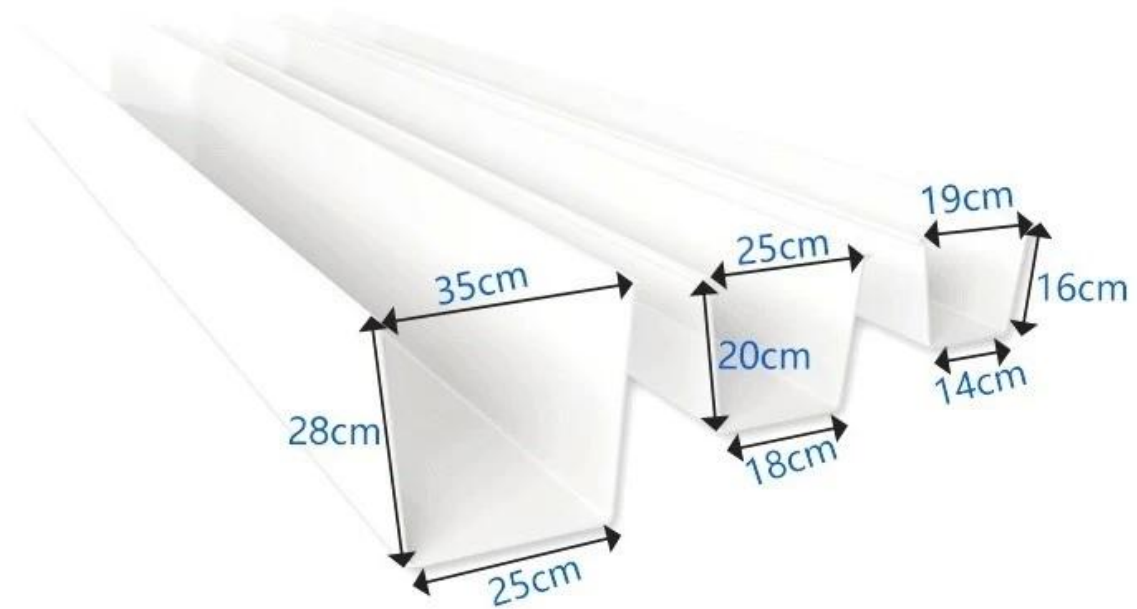
03

Resistance corrosion

Long-term resistance to chemical substances such as acid, alkali and salt corrosion

Trust comes from quality

Product Information



*Dimensions are approximate and may vary slightly due to manufacturing tolerances.

| Section | Dimensions (cm) | Weight (kg) |
|--------------------|---------------------------------|---------------|
| Section 1 (Left) | Top: 35, Bottom: 25, Height: 28 | 14.00 - 16.00 |
| Section 2 (Middle) | Top: 25, Bottom: 18, Height: 20 | 19.00 - 2.50 |
| Section 3 (Right) | Top: 19, Bottom: 14, Height: 16 | 18.00 - 20.00 |
| Section 4 (Total) | Top: 25, Bottom: 28, Height: 35 | 25.00 - 2.80 |
| Section 5 (Total) | Top: 35, Bottom: 25, Height: 28 | 25.00 - 3.80 |

For more information, please visit our website at www.example.com.

Accessories

Trust comes from quality

RAIN GUTTER ACCESSORIES

Complete accessories, selected quality



Joiner



End cap



90° angle



Drop outlet



Drain end cap

Advantage

IT'S ALL RAIN GUTTERS, WHY ARE WE MORE PROFESSIONAL?

PRODUCT COMPARISON

ZHONGXINGCHENG RAIN GUTTERS



OTHER PEOPLE'S FACTORY GUTTER RAIN GUTTER



2.5mm thickened small sink

4.5mm thickened large sink



Standard 2.5,
maximum thickness 4.5



160 gutter with a thickness of 2.2m



The thickness is only 2.2,
which is not durable



New imported raw materials



Recycled material, low cost



Excellent workmanship,
not afraid of trampling



Cut corners and
be easily damaged

Trust comes from quality

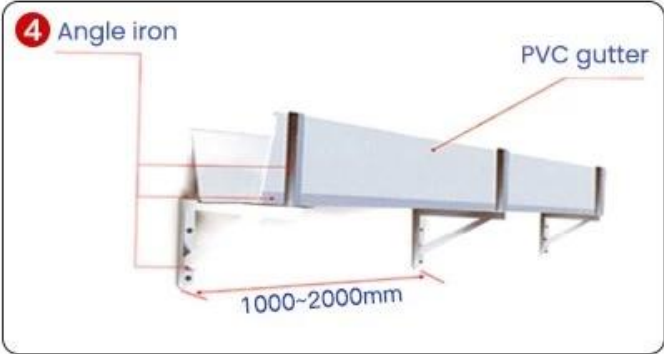
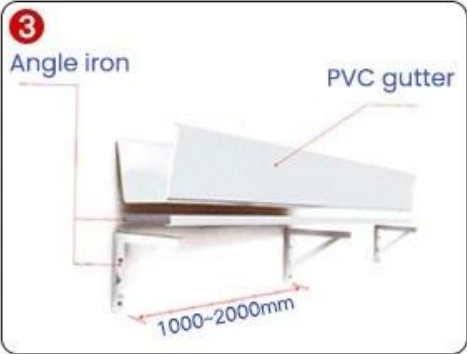
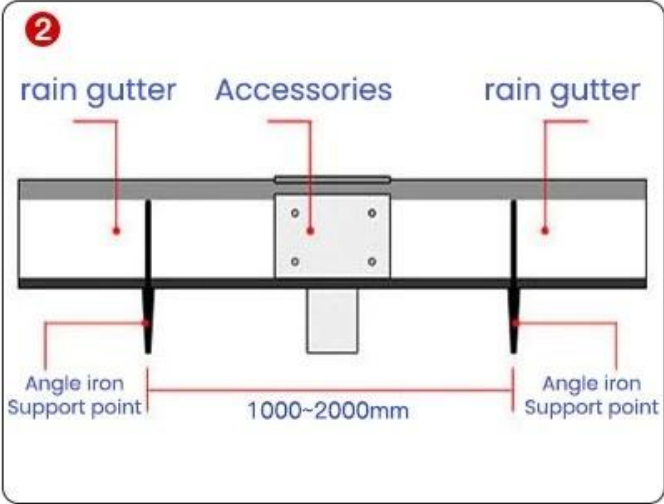
GLASS GLUE PORTABLE INSTALLATION

Quick installation in 2 minutes
Compared with traditional fixed rivets,
it saves time, effort and worry



Trust comes from quality

INSTALLATION INSTRUCTIONS



1. 安裝前請先檢查雨水管及雨水管接頭之規格與屋頂之坡度是否相符。屋頂之坡度應在 1.5-1.8% 之間，若屋頂之坡度不足，應先將屋頂之坡度調整至符合規定。

2. 安裝時應先將雨水管及雨水管接頭之規格與屋頂之坡度是否相符。

3. 安裝時應先將雨水管及雨水管接頭之規格與屋頂之坡度是否相符。

4. 安裝時應先將雨水管及雨水管接頭之規格與屋頂之坡度是否相符。

5. 安裝時應先將雨水管及雨水管接頭之規格與屋頂之坡度是否相符。

Project

Trust comes from quality

Real case, real power

Selected engineering cases







Trust comes from quality

THE PRODUCT IS VERY VERSATILE

Versatility leads to creative life



Family daily use



The villa receives water



Breeding gutters



Factory drainage



Agricultural irrigation



Planting hydroponics

Our Factory

12 YEARS OF FOCUS ON GUTTER TECHNOLOGY

...

Trust comes from quality

SOURCE MANUFACTURER QUALITY ASSURANCE

"Win tomorrow with the trust of quality"



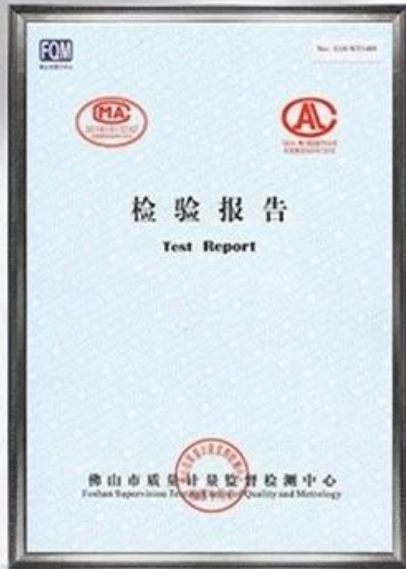
| | | |
|--|---|--|
| 12years of industry experience | 34840m² meters of factory area | 25,000m average daily output |
|--|---|--|

Certificate

Trust comes from quality

AUTHORITATIVE ORGANIZATION INSPECTION

There is a certificate and guarantee and only with strength can you rest assured



FAQ

1.Q: 如何選擇合適的管徑和壁厚？

答：根據不同的應用場景，我們提供 PVC, 雙壁 PVC, 雙壁 PPR 等多種規格。

2.Q: 貴公司的生產廠址在哪裡？

答：我們位於中國廣東省佛山市南海區丹灶鎮橫江新區 Foshan City, Nanhai District, Danzao Town, Hengjiang New Road 10 號。

3.Q: 貴公司是否提供技術支持？

答：提供。

(1) 提供技術諮詢 (電話、傳真、郵件)

(2) 樣品

(3) 現場指導

4.Q: 貴公司是否提供安裝服務？

答：提供。

5.Q: 貴公司的付款方式是什麼？

答：我們接受 T/T 或 L/C 付款，30% 預付，T/T, Western Union

6.Q: 貴公司的產品質量如何？

答：我們擁有先進的生產設備，產品質量穩定，5 年保用期。

我們提供完善的售後服務，確保客戶滿意。

7.Q: 貴公司的產品價格如何？

答：我們提供具有競爭力的價格，並根據市場行情進行調整。歡迎垂詢。

8.Q: 貴公司的產品規格是什麼？

答：我們提供多種規格，15 種規格可供選擇。