

# Parameters

ZXC New Material Technology Co., Ltd. UPVC  
OEM

PVC

	5
	PVC
	5
	14.x 16.x 18.x 20.x 25.x 28

# QUALITY RAIN GUTTER

Made of PVC, resistant to pressure and corrosion, durable

Feeding gutter | planting gutter | incubation gutter | rain gutter



Trust comes from quality

## PRODUCT FEATURE DISPLAY



01

**new raw material**

Using high-quality raw materials, no recycled materials, green environmental protection, long life



02

**Thickened load-bearing**

PVC material has strong bending resistance and impact toughness



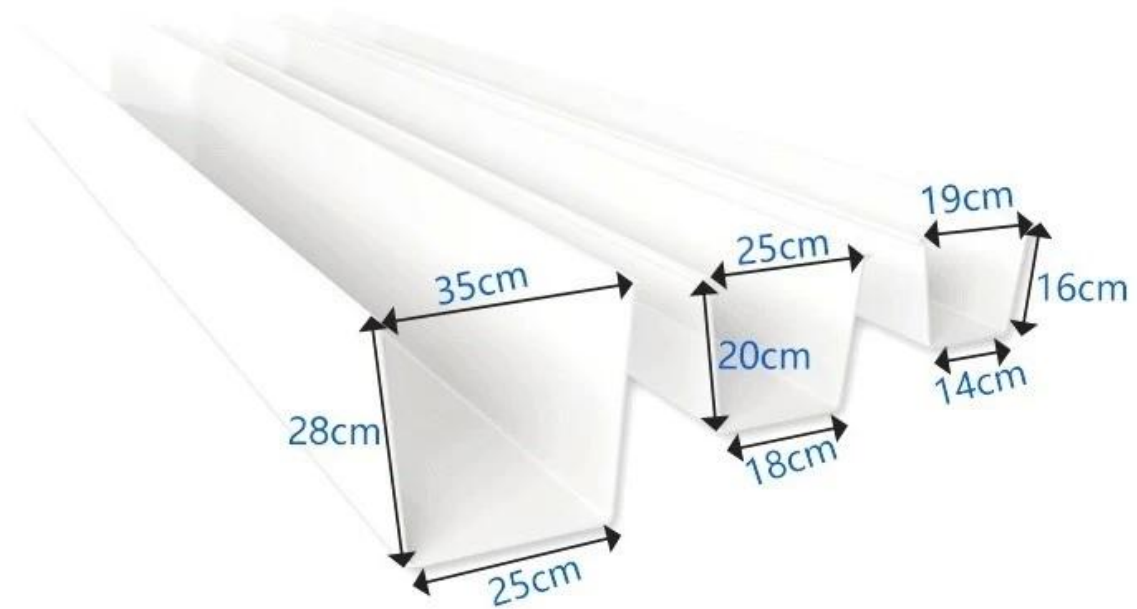
03

**Resistance corrosion**

Long-term resistance to chemical substances such as acid, alkali and salt corrosion

Trust comes from quality

# Product Information



\* 此系列之 PVC 水喉管，其重量及長度如下表所示。

規格	重量 (kg)	長度 (m)
19mm x 2.5mm	14	16
18mm x 2.0mm	19	2.5
25mm x 2.8mm	18	20
25mm x 2.8mm	25	2.8
28mm x 3.8mm	25	28
35mm x 3.8mm	35	3.8

此系列之 PVC 水喉管，其重量及長度如下表所示。

## Accessories

Trust comes from quality

# RAIN GUTTER ACCESSORIES

Complete accessories, selected quality



Joiner



End cap



90° angle



Drop outlet



Drain end cap

Advantage

# IT'S ALL RAIN GUTTERS, WHY ARE WE MORE PROFESSIONAL?

## PRODUCT COMPARISON

### ZHONGXINGCHENG RAIN GUTTERS



### OTHER PEOPLE'S FACTORY GUTTER RAIN GUTTER



Standard 2.5,  
maximum thickness 4.5



The thickness is only 2.2,  
which is not durable



New imported raw materials



Recycled material, low cost



Excellent workmanship,  
not afraid of trampling



Cut corners and  
be easily damaged

Trust comes from quality

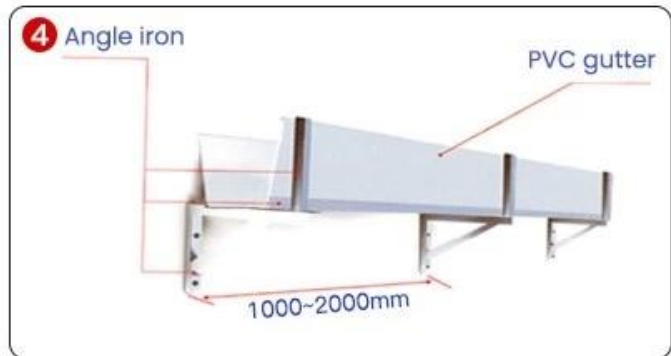
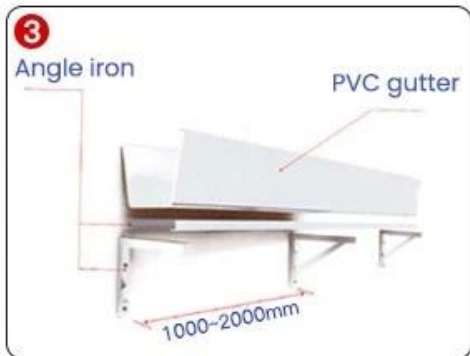
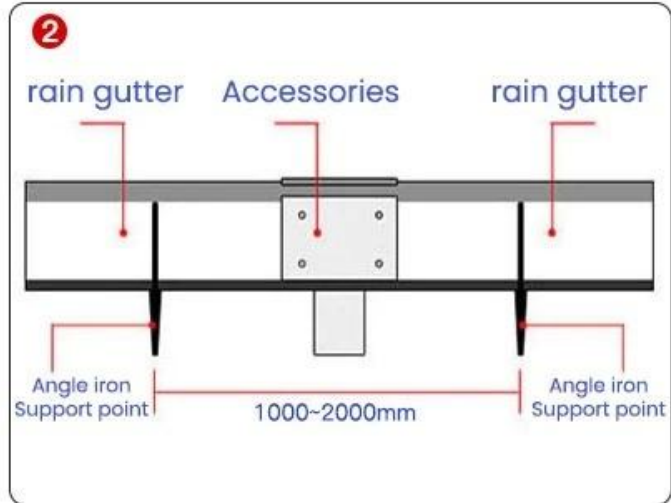
## GLASS GLUE PORTABLE INSTALLATION

Quick installation in 2 minutes  
Compared with traditional fixed rivets,  
it saves time, effort and worry



Trust comes from quality

# INSTALLATION INSTRUCTIONS



1. 安裝前請先檢查雨水槽及雨水管之規格與屋頂之坡度是否相符。屋頂之坡度應在 1.5-1.8 之間。若屋頂之坡度過小，則雨水槽之排水效果會大打折扣。

2. 安裝時應先將雨水槽固定於屋頂，再安裝雨水管。雨水管之安裝應注意其坡度，應與屋頂之坡度一致。

3. 雨水管之安裝應注意其坡度，應與屋頂之坡度一致。若雨水管之坡度過小，則雨水管之排水效果會大打折扣。

4. 雨水管之安裝應注意其坡度，應與屋頂之坡度一致。若雨水管之坡度過小，則雨水管之排水效果會大打折扣。50%

5. 雨水管之安裝應注意其坡度，應與屋頂之坡度一致。若雨水管之坡度過小，則雨水管之排水效果會大打折扣。18



# Project

Trust comes from quality

# Real case, real power

Selected engineering cases







Trust comes from quality

# THE PRODUCT IS VERY VERSATILE

Versatility leads to creative life



Family daily use



The villa receives water



Breeding gutters



Factory drainage



Agricultural irrigation



Planting hydroponics

Our Factory

# 12 YEARS

OF FOCUS ON GUTTER TECHNOLOGY

...

Trust comes from quality

## SOURCE MANUFACTURER QUALITY ASSURANCE

"Win tomorrow with the trust of quality"



**12years** | **34840m<sup>2</sup>** | **25,000m**  
of industry experience | meters of factory area | average daily output

# Certificate

Trust comes from quality

# AUTHORITATIVE ORGANIZATION INSPECTION

There is a certificate and guarantee and only with strength can you rest assured





# FAQ

**1.Q:** 如何選擇合適的管徑和壁厚？

答：根據不同的應用場景，我們提供 PVC, 雙壁 PVC, 雙壁 PPR 等各種規格。

**2.Q:** 貴公司的生產廠家地址是？

答：我們位於中國廣東省佛山市南海區丹灶鎮橫江新區 Foshan City, Nanhai District, Danzao Town, Hengjiang New Road 10 號。

**3.Q:** 貴公司是否提供技術支持？

答：提供。

(1) 提供技術諮詢 (電話、傳真、郵件)

(2) 樣品

(3) 現場指導

**4.Q:** 貴公司是否提供安裝服務？

答：提供。

**5.Q:** 貴公司的付款方式是？

答：我們提供 T/T 或 L/C 付款，30% 預付款，T/T, Western Union。

**6.Q:** 貴公司的產品質量如何？

答：我們提供符合 ISO 9001 標準的優質產品，5 年質量保證。

我們提供各種規格、顏色、壁厚的產品，歡迎各界人士垂詢。

**7.Q:** 貴公司的產品價格如何？

答：我們提供具有競爭力的價格，並根據您的具體需求提供專業的報價方案。

**8.Q:** 貴公司的產品交付時間是？

答：我們提供 15 天內的快速交付服務，歡迎垂詢。