

Parameters

XXXXXXXXXXXX ZXC New Material Technology Co., Ltd. XXXX XXXXXXXXXXXXXXXXXXXXXXXXXXXX XXXXXXXX,
 XXXXXXXXXXXXXXXXXXXXXXX, XXXXXXXXXXXXXXXXXXXXXXXXXXXX XXXXXXXXXXXXXXXXXXXXXXXXXXXX OEM (
 XXXXXXXXXXXXXXXXXXXXXXXXXXXX XXXXXXXXXXXXXXX)

XXXXXXXXXX XXXXXXXX XXXXXXXXXXXXXXXXXXXXXXX XXXXXXX XXXXX XXXXXXXX XXXXXXXX
 XXX

XX
 XXX
 XXXXXXXX

XXXXXXXXXXXXXXXXXXXX	XXXXXXXXXX 5 XX
XXXXXXXXXXXXXXXXXXXX	XX
XX	XXXXXXXXXX
XXXXXXXXXXXXXXXXXXXX	XXXXXXXXXX/XXXXXXXXXXXXXXXXXXXX
XXXXXXXXXXXXXXXXXXXX	XXXXXXXXXXXX
XXXXXXXXXXXXXXXXXXXX	XXXXXXXXXXXX, XXXX
XXXXXXXXXXXXXXXXXXXX	XXXXXXXXXXXXXXXXXXXX
XXXXXXXXXXXXXXXXXXXX	XXXXXXXXXXXXXXXXXXXXXXXXXXXX
XXXXXX	PVC
XXXXXXXXXXXX	XXXXXXXXXXXX
XXXXXX	XXXXXXXXXXXXXXXXXXXX
XXXXXXXXXXXXXXXXXXXX	XXXXXXXXXXXXXXXXXXXXXXXXXXXXXXXXXXXX
XXXXXXXXXXXXXXXXXXXX	XXXXXXXXXXXX 5 XX
XXXXXXXXXXXXXXXXXXXX	14XX.x 16XX.18XX.x 20XX.25XX.x 28XX
XXXXXX	XXXXXXXXXXXXXXXXXXXXXXXXXXXX

QUALITY RAIN GUTTER

Made of PVC, resistant to pressure and corrosion, durable

Feeding gutter | planting gutter | incubation gutter | rain gutter



Trust comes from quality

PRODUCT FEATURE DISPLAY



01

new raw material

Using high-quality raw materials, no recycled materials, green environmental protection, long life



02

Thickened load-bearing

PVC material has strong bending resistance and impact toughness



03

Resistance corrosion

Long-term resistance to chemical substances such as acid, alkali and salt corrosion

Trust comes from quality

Product Information



*Dimensions are approximate and may vary slightly due to manufacturing tolerances.

Product Name	Dimensions (cm)	Weight (kg)
Model A	14 cm. 16 cm.	1.5 kg
Model B	18 cm. 20 cm.	2.5 kg
Model C	25 cm. 28 cm.	2.8 kg
Model D	35 cm. 3.8 cm.	3.8 kg

For more information, please visit our website or contact our customer service team.

Accessories

Trust comes from quality

RAIN GUTTER ACCESSORIES

Complete accessories, selected quality



Joiner



End cap



90° angle



Drop outlet



Drain end cap

Advantage

IT'S ALL RAIN GUTTERS, WHY ARE WE MORE PROFESSIONAL?

PRODUCT COMPARISON

ZHONGXINGCHENG RAIN GUTTERS



OTHER PEOPLE'S FACTORY GUTTER RAIN GUTTER



2.5mm thickened small sink

4.5mm thickened large sink



Standard 2.5,
maximum thickness 4.5



160 gutter with a thickness of 2.2m



The thickness is only 2.2,
which is not durable



New imported raw materials



Recycled material, low cost



Excellent workmanship,
not afraid of trampling



Cut corners and
be easily damaged

Trust comes from quality

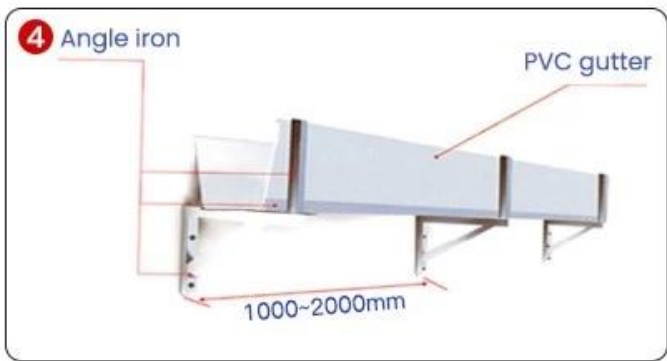
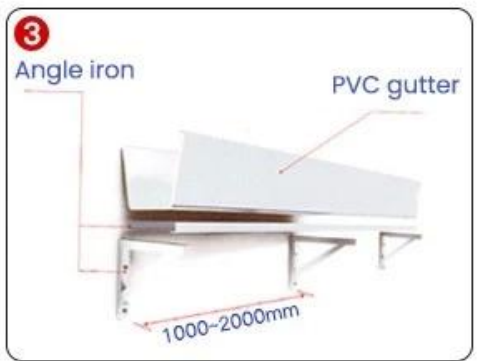
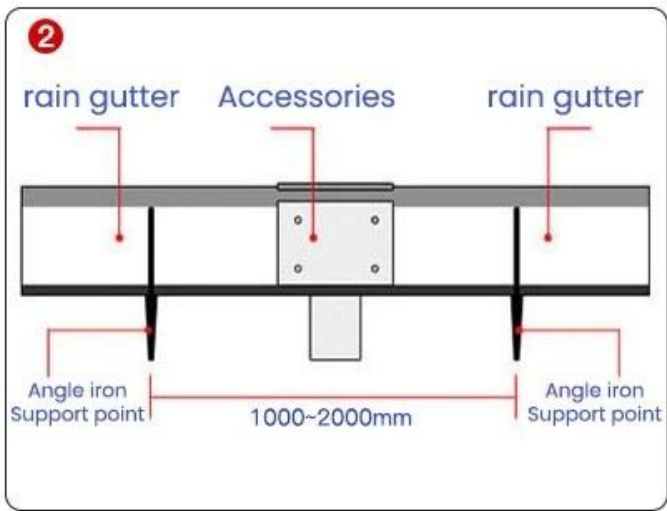
GLASS GLUE PORTABLE INSTALLATION

Quick installation in 2 minutes
Compared with traditional fixed rivets,
it saves time, effort and worry



Trust comes from quality

INSTALLATION INSTRUCTIONS



1. 安裝前請先檢查所有零件是否齊全，並請將安裝現場清理乾淨，確保安裝位置無障礙物。安裝時請將排水口朝向正確方向，並確保排水口與屋頂的距離為 1.5-1.8 公尺。

2. 安裝時請將排水口朝向正確方向，並確保排水口與屋頂的距離為 1.5-1.8 公尺。

3. 安裝時請將排水口朝向正確方向，並確保排水口與屋頂的距離為 1.5-1.8 公尺。

4. 安裝時請將排水口朝向正確方向，並確保排水口與屋頂的距離為 1.5-1.8 公尺。

5. 安裝時請將排水口朝向正確方向，並確保排水口與屋頂的距離為 1.5-1.8 公尺。

Project

Trust comes from quality

Real case, real power

Selected engineering cases







Trust comes from quality

THE PRODUCT IS VERY VERSATILE

Versatility leads to creative life



Family daily use



The villa receives water



Breeding gutters



Factory drainage



Agricultural irrigation



Planting hydroponics

Our Factory

12 YEARS

OF FOCUS ON GUTTER TECHNOLOGY

...

Trust comes from quality

SOURCE MANUFACTURER QUALITY ASSURANCE

"Win tomorrow with the trust of quality"



12years | **34840m²** | **25,000m**
of industry experience | meters of factory area | average daily output

Certificate

Trust comes from quality

AUTHORITATIVE ORGANIZATION INSPECTION

There is a certificate and guarantee and only with strength can you rest assured



FAQ

1.Q: 如何選擇合適的管徑和壁厚?

答: 根據您的具體需求, 我們提供 PVC, 鋼管 PVC, 鋼管 PPR 等各種規格。

2.Q: 貴公司的生產廠家地址是?

答: 我們位於中國廣東省佛山市南海區丹灶鎮橫江新區 Foshan City, Nanhai District, Danzao Town, Hengjiang New Road 10 號。

3.Q: 貴公司是否提供免費設計和報價服務?

答: 是的。

(1) 根據您的管徑、壁厚、長度、數量等提供報價。

(2) 提供樣品。

(3) 提供技術支持。

4.Q: 貴公司是否提供安裝和維修服務?

答: 我們提供專業的安裝和維修服務。

5.Q: 貴公司的產品質量如何保證?

答: 我們採用優質材料, 並通過 ISO 9001 認證, 確保產品質量。30% 的貨物經過 T/T, Western Union 檢驗。

6.Q: 貴公司的產品價格如何?

答: 我們的產品價格具有競爭力, 並根據市場行情進行調整。5 年內免費維修。

我們提供各種規格和型號, 歡迎垂詢。

7.Q: 貴公司的產品是否通過認證?

答: 我們的產品通過了 ISO 9001 認證, 並符合國家標準。我們提供專業的安裝和維修服務。

8.Q: 貴公司的產品是否耐用?

答: 我們的產品採用優質材料, 耐用且易於安裝。15 年內免費維修。