

Parameters

XXXXXXXXXXXX ZXC New Material Technology Co.,XXXXXXXXXXXX XXXXXXXXXXXXXXXXXXXXXXXXXXXXXXX
 XXXXXXXXXXXXXXXXXXXXXXXXXXXXXXX OEM

XXXXXXXXXX XXXXXXXX XXXXXXXXXXXXXXXXXXXXXXX XXXXXXX XXXXX XXXXXXXX XXXXXXX
 XXX

XX
 XXX
 XXXXXXXXXXX

XXXXXXXXXXXXXXXXXXXX	XXXXXXXXXX 5 XX
XXXXXXXXXXXXXXXXXXXX	XX
XXXXXXXXXXXXXXXXXXXX	XXXXXXXX
XXXXXXXXXXXXXXXX	XXXXXXXX/XXXXXXXXXXXXXXXXXXXX
XXXXXXXXXXXXXXXXXXXX	XXXXXXXXXXXX
XXXXXXXXXXXXXXXXXXXX	XXXXXXXXXXXX, XXX
XXXXXXXXXXXXXXXX	XXXXXXXXXXXXXXXX
XXXXXXXXXXXXXXXXXXXX	XXXXXXXXXXXXXXXXXXXXXXXXXXXX
XXXXXX	PVC
XXXXXXXXXX	XXXXXXXX
XXXXX	XXXXXXXXXXXXXXXXXXXX
XXXXXXXXXXXXXXXX	XXXXXXXXXXXXXXXXXXXXXXXXXXXXXXXXXXXX
XXXXXXXXXXXXXXXXXXXX	XXXXXXXXXX 5 XX
XXXXXXXXXXXXXXXX	14XX.x 16XX.18XX.x 20XX.25XX.x 28XX
XXXXXX	XXXXXXXXXXXXXXXXXXXXXXXXXXXX

QUALITY RAIN GUTTER

Made of PVC, resistant to pressure and corrosion, durable

Feeding gutter | planting gutter | incubation gutter | rain gutter



Trust comes from quality

PRODUCT FEATURE DISPLAY



01

new raw material

Using high-quality raw materials, no recycled materials, green environmental protection, long life



02

Thickened load-bearing

PVC material has strong bending resistance and impact toughness



03

Resistance corrosion

Long-term resistance to chemical substances such as acid, alkali and salt corrosion

Trust comes from quality

Product Information



*Dimensions are approximate and may vary slightly due to manufacturing tolerances.

Product Name	Dimensions (mm)	Weight (kg)
Wide Gutter	14 mm, 16 mm, 19 mm, 2.5 mm	
Narrow Gutter	18 mm, 20 mm, 25 mm, 2.8 mm	
Ultra-Narrow Gutter	25 mm, 28 mm, 35 mm, 3.8 mm	

For more information, visit our website at www.upvc.com

Accessories

Trust comes from quality

RAIN GUTTER ACCESSORIES

Complete accessories, selected quality



Joiner



End cap



90° angle



Drop outlet



Drain end cap

Advantage

IT'S ALL RAIN GUTTERS, WHY ARE WE MORE PROFESSIONAL?

PRODUCT COMPARISON

ZHONGXINGCHENG RAIN GUTTERS



OTHER PEOPLE'S FACTORY GUTTER RAIN GUTTER



Standard 2.5,
maximum thickness 4.5



The thickness is only 2.2,
which is not durable



New imported raw materials



Recycled material, low cost



Excellent workmanship,
not afraid of trampling



Cut corners and
be easily damaged

Trust comes from quality

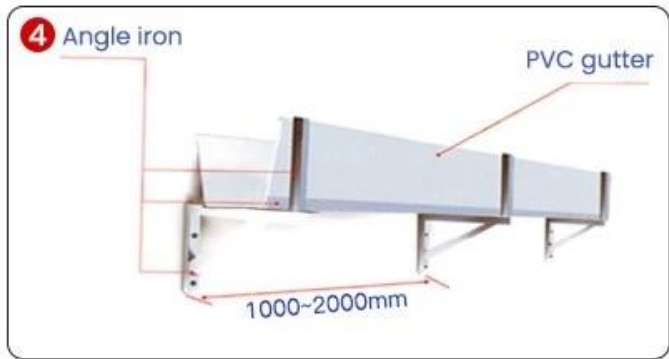
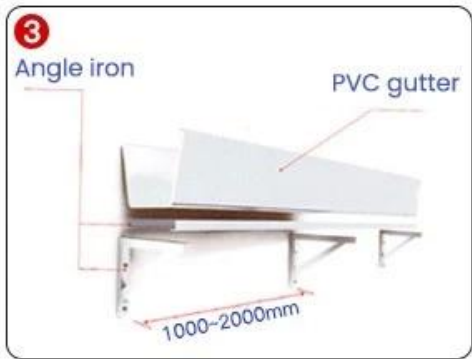
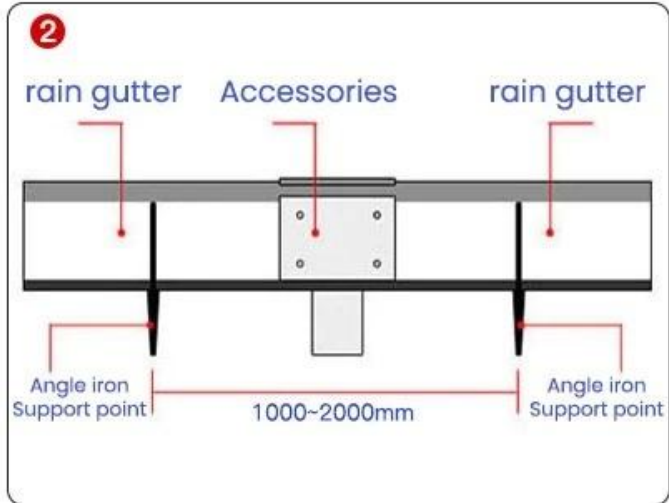
GLASS GLUE PORTABLE INSTALLATION

Quick installation in 2 minutes
Compared with traditional fixed rivets,
it saves time, effort and worry



Trust comes from quality

INSTALLATION INSTRUCTIONS



1. 1. 雨樋の設置は、屋根の傾斜に沿って行い、排水口は必ずしも必要ではありません。また、雨樋の傾斜は1.5-1.8%程度に調整してください。
2. 2. 雨樋の設置は、屋根の傾斜に沿って行い、排水口は必ずしも必要ではありません。また、雨樋の傾斜は1.5-1.8%程度に調整してください。
3. 3. 雨樋の設置は、屋根の傾斜に沿って行い、排水口は必ずしも必要ではありません。また、雨樋の傾斜は1.5-1.8%程度に調整してください。
4. 4. 雨樋の設置は、屋根の傾斜に沿って行い、排水口は必ずしも必要ではありません。また、雨樋の傾斜は1.5-1.8%程度に調整してください。
5. 5. 雨樋の設置は、屋根の傾斜に沿って行い、排水口は必ずしも必要ではありません。また、雨樋の傾斜は1.5-1.8%程度に調整してください。

Project

Trust comes from quality

Real case, real power

Selected engineering cases







Trust comes from quality

THE PRODUCT IS VERY VERSATILE

Versatility leads to creative life



Family daily use



The villa receives water



Breeding gutters



Factory drainage



Agricultural irrigation



Planting hydroponics

Our Factory

12 YEARS OF FOCUS ON GUTTER TECHNOLOGY

...

Trust comes from quality

SOURCE MANUFACTURER QUALITY ASSURANCE

"Win tomorrow with the trust of quality"



12years | **34840m²** | **25,000m**
of industry experience | meters of factory area | average daily output

Certificate

Trust comes from quality

AUTHORITATIVE ORGANIZATION INSPECTION

There is a certificate and guarantee and only with strength can you rest assured



FAQ

1.Q: 如何選擇合適的管徑和壁厚？

答：管徑的選擇應根據實際需求，PVC、PPR、PE 管均適用。

2.Q: 如何選擇合適的管材？

答：本公司生產的管材均符合國家標準，Foshan City, Nanhai District, Danzao Town, Hengjiang New Road 廠址，管徑 10 寸。

3.Q: 如何選擇合適的管材？

答：

(1) 管徑 (mm) x 壁厚 (mm)

(2) 管長

(3) 管重

4.Q: 如何選擇合適的管材？

答：管徑 10 寸。

5.Q: 如何選擇合適的管材？

答：管徑 10 寸，T/T 或 L/C 30% 預付，T/T, Western Union

6.Q: 如何選擇合適的管材？

答：管徑 10 寸，管長 5 米，管重 5 公斤。

管徑 10 寸，管長 5 米，管重 5 公斤。

7.Q: 如何選擇合適的管材？

答：管徑 10 寸，管長 5 米，管重 5 公斤。

8.Q: 如何選擇合適的管材？

答：管徑 10 寸，管長 5 米，管重 5 公斤。