

QUALITY RAIN GUTTER

Made of PVC, resistant to pressure and corrosion, durable

Feeding gutter | planting gutter | incubation gutter | rain gutter



Trust comes from quality

PRODUCT FEATURE DISPLAY



01

new raw material

Using high-quality raw materials, no recycled materials, green environmental protection, long life



02

Thickened load-bearing

PVC material has strong bending resistance and impact toughness



03

Resistance corrosion

Long-term resistance to chemical substances such as acid, alkali and salt corrosion

Trust comes from quality

RAIN GUTTER ACCESSORIES

Complete accessories, selected quality



Joiner



End cap



90° angle



Drop outlet



Drain end cap

Advantage

IT'S ALL RAIN GUTTERS, WHY ARE WE MORE PROFESSIONAL?

PRODUCT COMPARISON

ZHONGXINGCHENG RAIN GUTTERS



OTHER PEOPLE'S FACTORY GUTTER RAIN GUTTER



Standard 2.5,
maximum thickness 4.5



The thickness is only 2.2,
which is not durable



New imported raw materials



Recycled material, low cost



Excellent workmanship,
not afraid of trampling



Cut corners and
be easily damaged

Trust comes from quality

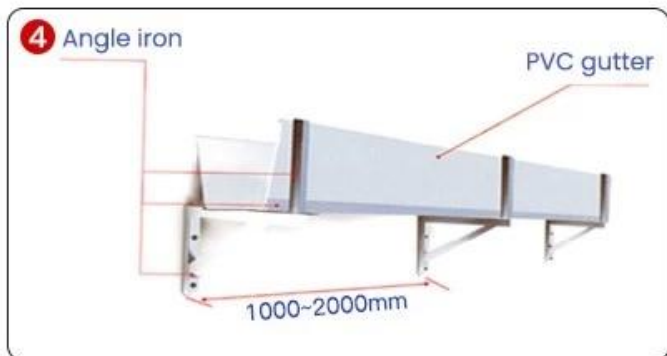
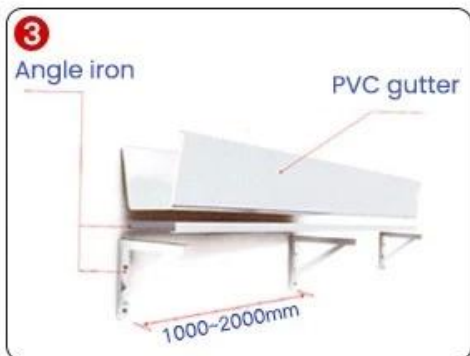
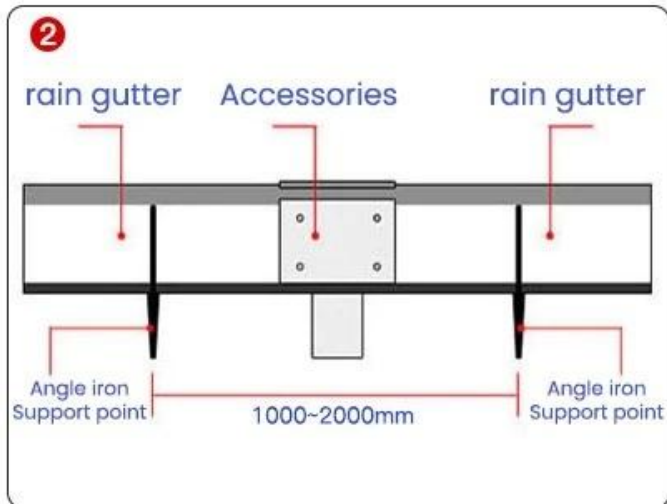
GLASS GLUE PORTABLE INSTALLATION

Quick installation in 2 minutes
Compared with traditional fixed rivets,
it saves time, effort and worry



Trust comes from quality

INSTALLATION INSTRUCTIONS



1. 安裝前請先檢查所有零件是否齊全，並請將安裝位置之屋頂表面清潔乾淨，如有必要，請將屋頂表面塗上防腐漆，待其乾燥後再行安裝。安裝時，請將排水口朝向屋頂低處，且排水口之直徑應為 1.5-1.8 吋。

2. 安裝時，請將排水口朝向屋頂低處，且排水口之直徑應為 1.5-1.8 吋。

3. 安裝時，請將排水口朝向屋頂低處，且排水口之直徑應為 1.5-1.8 吋。

4. 安裝時，請將排水口朝向屋頂低處，且排水口之直徑應為 1.5-1.8 吋。

5. 安裝時，請將排水口朝向屋頂低處，且排水口之直徑應為 1.5-1.8 吋。

Project

Trust comes from quality

Real case, real power

Selected engineering cases







Trust comes from quality

THE PRODUCT IS VERY VERSATILE

Versatility leads to creative life



Family daily use



The villa receives water



Breeding gutters



Factory drainage



Agricultural irrigation



Planting hydroponics

Our Factory

12 YEARS OF FOCUS ON GUTTER TECHNOLOGY

...

Trust comes from quality

SOURCE MANUFACTURER QUALITY ASSURANCE

"Win tomorrow with the trust of quality"



12years of industry experience	34840m² meters of factory area	25,000m average daily output
--	---	--

Certificate

Trust comes from quality

AUTHORITATIVE ORGANIZATION INSPECTION

There is a certificate and guarantee and only with strength can you rest assured



FAQ

1.Q: 如何選擇合適的管材？

答： 根據不同的應用場景，我們提供 PVC, 雙壁 PVC, 雙壁 PPR 等不同的管材選擇。

2.Q: 廠址在哪裡？

答： 我們位於中國廣東省佛山市南海區丹灶鎮橫江新區 Foshan City, Nanhai District, Danzao Town, Hengjiang New Road 10 號。

3.Q: 產品規格和尺寸有沒有限制？

答：

(1) 直徑範圍 (DN100 x DN200 x DN300, DN400)

(2) 長度

(3) 壁厚

4.Q: 產品質量如何保證？

答： 我們擁有完善的质量管理体系。

5.Q: 付款方式是什麼？

答： 我們接受 T/T 或 L/C 付款，首付款 30% 通過 T/T, Western Union。

6.Q: 產品包裝方式是什麼？

答： 我們提供 5 米長的標準包裝，也可以根據客戶的要求進行定制。

我們提供專業的技術支持和產品培訓。

7.Q: 產品價格如何？

答： 我們的價格具有競爭力，具體價格請洽我們的銷售人員。我們提供專業的技術支持和產品培訓。

8.Q: 產品交付時間是多久？

答： 我們通常可以在 15 天內交付產品，具體交付時間請洽我們的銷售人員。