

Parameters

本公司 ZXC New Material Technology Co. 提供 PVC 材料，
 符合 U 标准，OEM

PVC 材料

符合 U 标准，OEM

厚度	5 mm
颜色	白色
表面	哑光
规格	14mm.x 16mm.18mm.x 20mm.25mm.x 28mm
材料	PVC
应用	地板
重量	1.38 g/cm ³
防火	符合 U 标准
环保	符合 U 标准
其他	符合 U 标准

QUALITY RAIN GUTTER

Made of PVC, resistant to pressure and corrosion, durable

Feeding gutter | planting gutter | incubation gutter | rain gutter



Trust comes from quality

PRODUCT FEATURE DISPLAY



01

new raw material

Using high-quality raw materials, no recycled materials, green environmental protection, long life



02

Thickened load-bearing

PVC material has strong bending resistance and impact toughness



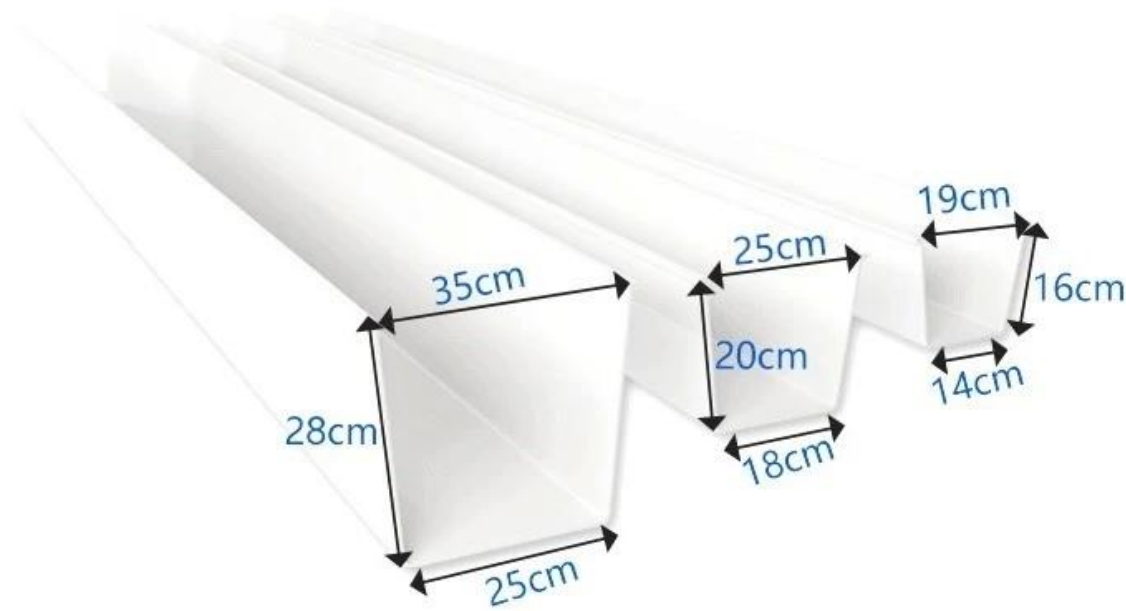
03

Resistance corrosion

Long-term resistance to chemical substances such as acid, alkali and salt corrosion

Trust comes from quality

Product Information



*Dimensions are approximate and may vary slightly due to manufacturing tolerances.

Accessories	Dimensions	Material
Tray	14 cm. 16 cm. 19 cm. 2.5 cm	
Tray	18 cm. 20 cm. 25 cm. 2.8 cm	
Tray	25 cm. 28 cm. 35 cm. 3.8 cm	

Accessories are available for purchase separately.

Accessories

Trust comes from quality

RAIN GUTTER ACCESSORIES

Complete accessories, selected quality



Joiner



End cap



90° angle



Drop outlet



Drain end cap

Advantage

IT'S ALL RAIN GUTTERS, WHY ARE WE MORE PROFESSIONAL?

PRODUCT COMPARISON

ZHONGXINGCHENG RAIN GUTTERS



OTHER PEOPLE'S FACTORY GUTTER RAIN GUTTER



Standard 2.5,
maximum thickness 4.5



The thickness is only 2.2,
which is not durable



New imported raw materials



Recycled material, low cost



Excellent workmanship,
not afraid of trampling



Cut corners and
be easily damaged

Trust comes from quality

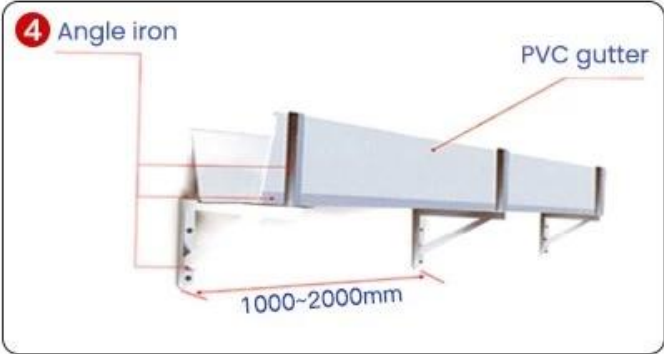
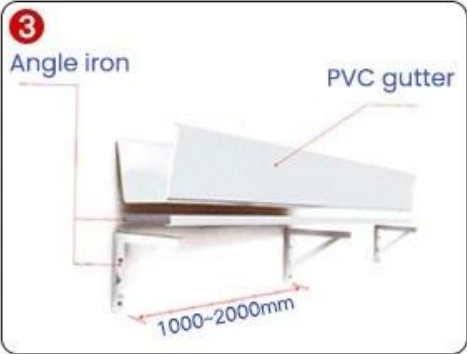
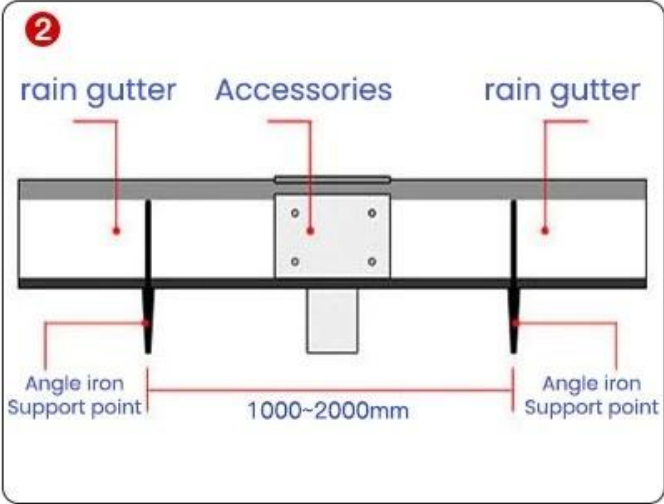
GLASS GLUE PORTABLE INSTALLATION

Quick installation in 2 minutes
Compared with traditional fixed rivets,
it saves time, effort and worry



Trust comes from quality

INSTALLATION INSTRUCTIONS



1. 安裝前請先檢查所有零件是否齊全，並請將安裝位置之屋頂表面清潔乾淨，如有必要請塗抹防腐劑，屋頂坡度應在 1.5-1.8 % 之間，以確保雨水能順利排出。

2. 安裝時請將 PVC 排水槽與屋頂表面緊密貼合，並確保排水槽與屋頂表面之間無任何空隙。

3. 安裝時請將 PVC 排水槽與屋頂表面緊密貼合，並確保排水槽與屋頂表面之間無任何空隙。

4. 安裝時請將 PVC 排水槽與屋頂表面緊密貼合，並確保排水槽與屋頂表面之間無任何空隙。

5. 安裝時請將 PVC 排水槽與屋頂表面緊密貼合，並確保排水槽與屋頂表面之間無任何空隙。

Project

Trust comes from quality

Real case, real power

Selected engineering cases







Trust comes from quality

THE PRODUCT IS VERY VERSATILE

Versatility leads to creative life



Family daily use



The villa receives water



Breeding gutters



Factory drainage



Agricultural irrigation



Planting hydroponics

Our Factory

12 YEARS

OF FOCUS ON GUTTER TECHNOLOGY

...

Trust comes from quality

SOURCE MANUFACTURER QUALITY ASSURANCE

"Win tomorrow with the trust of quality"



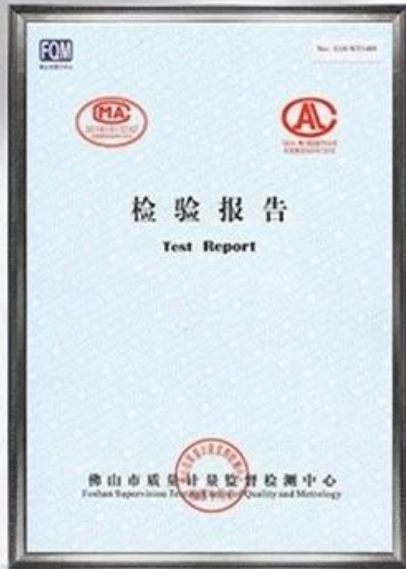
12years | **34840m²** | **25,000m**
of industry experience | meters of factory area | average daily output

Certificate

Trust comes from quality

AUTHORITATIVE ORGANIZATION INSPECTION

There is a certificate and guarantee and only with strength can you rest assured



FAQ

1.Q: 如何選擇合適的管徑和壁厚？

答：管徑的選擇應根據實際需要，PVC, 鋼管 PVC, 鋼管 PPR 均適用於各種場合。

2.Q: 如何選擇合適的管廠？

答：本公司位於中國廣東省佛山市南海區丹灶鎮橫江新區，交通便利，歡迎各界人士蒞臨參觀指導。電話：10 0000

3.Q: 如何選擇合適的管廠？

答：

(1) 管廠的生產能力 (管廠 x 管廠 x 管廠, 管廠)

(2) 管廠

(3) 管廠

4.Q: 如何選擇合適的管廠？

答：管廠

5.Q: 如何選擇合適的管廠？

答：管廠 T/T 管廠 L/C 管廠 30% 管廠 T/T, Western Union

6.Q: 如何選擇合適的管廠？

答：管廠 5 管廠 管廠

管廠 管廠

7.Q: 如何選擇合適的管廠？

答：管廠 管廠 管廠

管廠

8.Q: 如何選擇合適的管廠？

答：管廠 15 管廠 管廠