

QUALITY RAIN GUTTER

Made of PVC, resistant to pressure and corrosion, durable

Feeding gutter | planting gutter | incubation gutter | rain gutter



Trust comes from quality

PRODUCT FEATURE DISPLAY



01

new raw material

Using high-quality raw materials, no recycled materials, green environmental protection, long life



02

Thickened load-bearing

PVC material has strong bending resistance and impact toughness



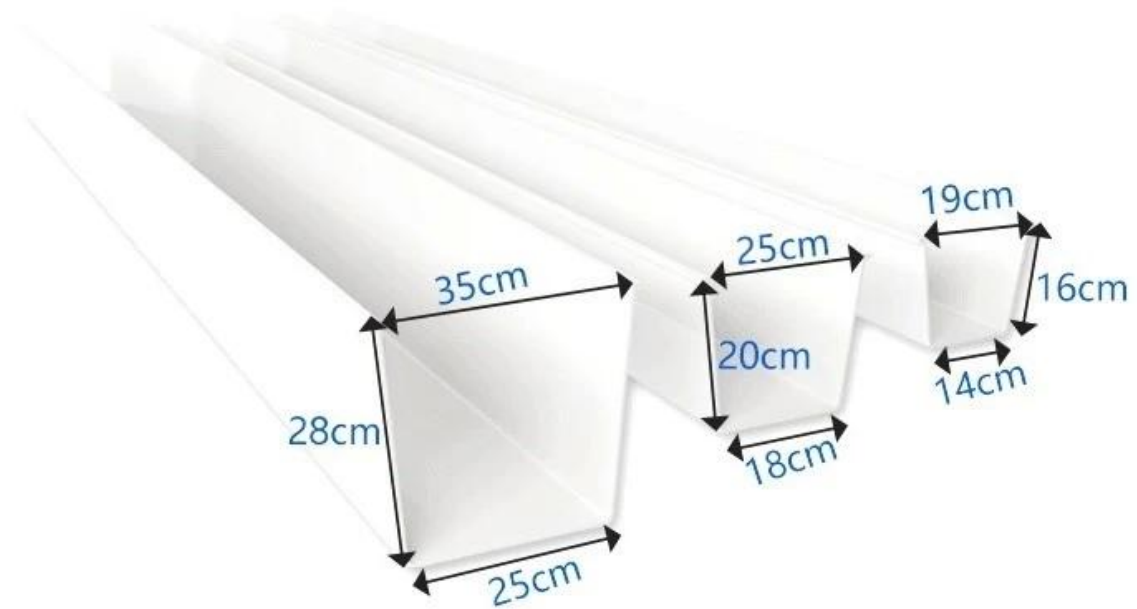
03

Resistance corrosion

Long-term resistance to chemical substances such as acid, alkali and salt corrosion

Trust comes from quality

Product Information



*All dimensions are in centimeters unless otherwise specified.

Product Name	Dimensions (mm)	Weight (kg)
14mm x 16mm	14mm x 16mm	0.16
19mm x 2.5mm	19mm x 2.5mm	0.25
18mm x 20mm	18mm x 20mm	0.28
25mm x 2.8mm	25mm x 2.8mm	0.28
25mm x 28mm	25mm x 28mm	0.38
35mm x 3.8mm	35mm x 3.8mm	0.38

Material: **upvc** (unplasticized polyvinyl chloride)

Accessories

Trust comes from quality

RAIN GUTTER ACCESSORIES

Complete accessories, selected quality



Joiner



End cap



90° angle



Drop outlet



Drain end cap

Advantage

IT'S ALL RAIN GUTTERS, WHY ARE WE MORE PROFESSIONAL?

PRODUCT COMPARISON

ZHONGXINGCHENG RAIN GUTTERS



OTHER PEOPLE'S FACTORY GUTTER RAIN GUTTER



Standard 2.5,
maximum thickness 4.5



The thickness is only 2.2,
which is not durable



New imported raw materials



Recycled material, low cost



Excellent workmanship,
not afraid of trampling



Cut corners and
be easily damaged

Trust comes from quality

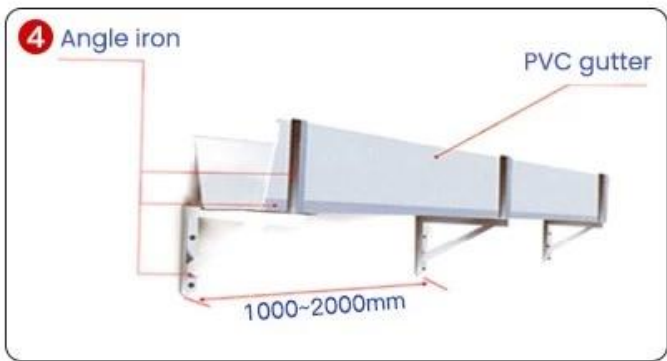
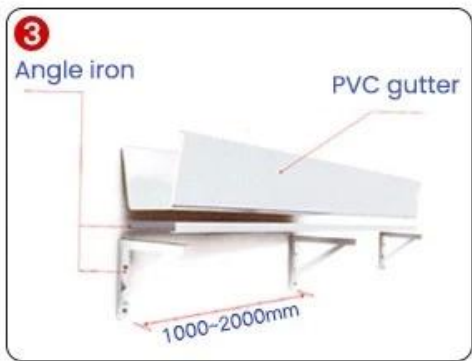
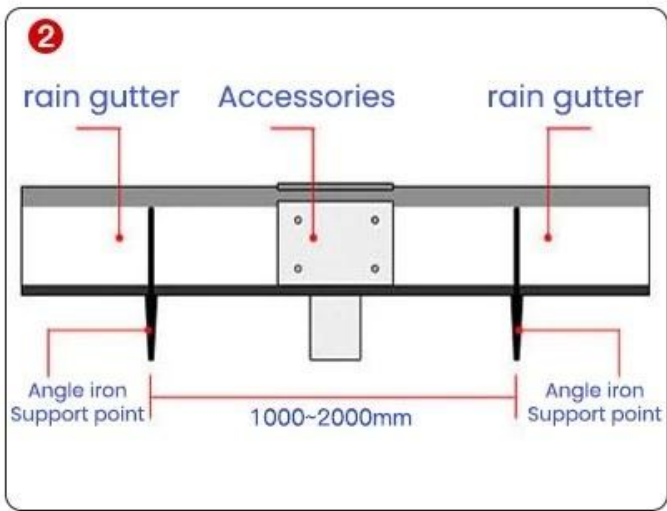
GLASS GLUE PORTABLE INSTALLATION

Quick installation in 2 minutes
Compared with traditional fixed rivets,
it saves time, effort and worry



Trust comes from quality

INSTALLATION INSTRUCTIONS



1. 安裝前請先檢查屋頂是否平整，若屋頂有凹凸不平之處，應先進行修補。安裝時，請將PVC排水槽與鋁合金支撐架對準，並確保排水槽的坡度為1.5-1.8%。

2. 安裝時，請將排水槽與支撐架之間的距離控制在1000-2000mm之間。

3. 安裝時，請將排水槽與支撐架之間的距離控制在1000-2000mm之間。

4. 安裝時，請將排水槽與支撐架之間的距離控制在1000-2000mm之間。

5. 安裝時，請將排水槽與支撐架之間的距離控制在1000-2000mm之間。

Project

Trust comes from quality

Real case, real power

Selected engineering cases







Trust comes from quality

THE PRODUCT IS VERY VERSATILE

Versatility leads to creative life



Family daily use



The villa receives water



Breeding gutters



Factory drainage



Agricultural irrigation



Planting hydroponics

Our Factory

12 YEARS OF FOCUS ON GUTTER TECHNOLOGY

...

Trust comes from quality

SOURCE MANUFACTURER QUALITY ASSURANCE

"Win tomorrow with the trust of quality"



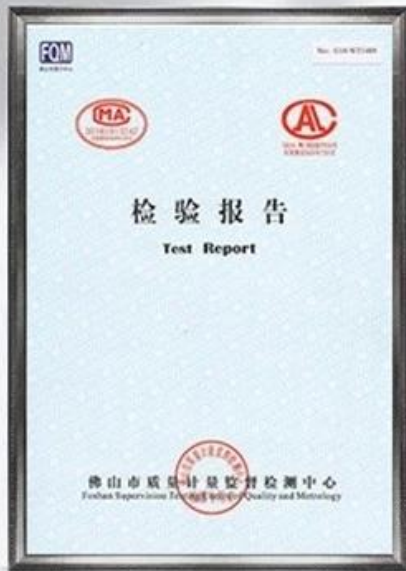
12years | **34840m²** | **25,000m**
of industry experience | meters of factory area | average daily output

Certificate

Trust comes from quality

AUTHORITATIVE ORGANIZATION INSPECTION

There is a certificate and guarantee and only with strength can you rest assured



FAQ

1.Q: 如何選擇合適的管徑和壁厚？

答：根據管徑和壁厚選擇合適的管徑和壁厚。PVC, 鋼管 PVC, 鋼管 PPR 均適用於各種管徑。

2.Q: 如何選擇合適的管徑和壁厚？

答：鋼管 管徑和壁厚均適用於各種管徑。Foshan City, Nanhai District, Danzao Town, Hengjiang New Road 管徑和壁厚均適用於各種管徑。10 英寸

3.Q: 如何選擇合適的管徑和壁厚？

答：

(1) 管徑和壁厚 (管徑 x 壁厚 x 管長, 英寸)

(2) 管徑

(3) 管徑

4.Q: 如何選擇合適的管徑和壁厚？

答：管徑和壁厚

5.Q: 如何選擇合適的管徑和壁厚？

答：管徑和壁厚 T/T 管徑 L/C 管徑和壁厚 30% 管徑 T/T, Western Union

6.Q: 如何選擇合適的管徑和壁厚？

答：管徑和壁厚 5 英寸 管徑和壁厚 5 英寸

管徑和壁厚 5 英寸 管徑和壁厚 5 英寸

7.Q: 如何選擇合適的管徑和壁厚？

答：管徑和壁厚 5 英寸 管徑和壁厚 5 英寸 管徑和壁厚 5 英寸

8.Q: 如何選擇合適的管徑和壁厚？

答：管徑和壁厚 15 英寸 管徑和壁厚 15 英寸