

QUALITY RAIN GUTTER

Made of PVC, resistant to pressure and corrosion, durable

Feeding gutter | planting gutter | incubation gutter | rain gutter



Trust comes from quality

PRODUCT FEATURE DISPLAY



01

new raw material

Using high-quality raw materials, no recycled materials, green environmental protection, long life



02

Thickened load-bearing

PVC material has strong bending resistance and impact toughness



03

Resistance corrosion

Long-term resistance to chemical substances such as acid, alkali and salt corrosion

Trust comes from quality

Product Information



*The dimensions shown in the diagram are for reference only. Actual dimensions may vary slightly due to manufacturing tolerances.

Product Code	Dimensions (mm)	Material
16mm	16mm x 14mm	PVC
2.5mm	25mm x 19mm	
20mm	20mm x 18mm	
2.8mm	28mm x 25mm	
28mm	28mm x 25mm	PVC
3.8mm	35mm x 35mm	

The gutter is made of **pvc** material and is available in various colors.

Accessories

Trust comes from quality

RAIN GUTTER ACCESSORIES

Complete accessories, selected quality



Joiner



End cap



90° angle



Drop outlet



Drain end cap

Advantage

IT'S ALL RAIN GUTTERS, WHY ARE WE MORE PROFESSIONAL?

PRODUCT COMPARISON

ZHONGXINGCHENG RAIN GUTTERS



OTHER PEOPLE'S FACTORY GUTTER RAIN GUTTER



2.5mm thickened small sink

4.5mm thickened large sink



Standard 2.5,
maximum thickness 4.5



160 gutter with a thickness of 2.2m



The thickness is only 2.2,
which is not durable



New imported raw materials



Recycled material, low cost



Excellent workmanship,
not afraid of trampling



Cut corners and
be easily damaged

Trust comes from quality

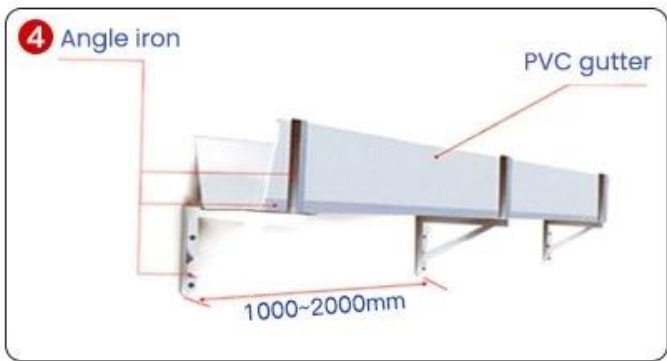
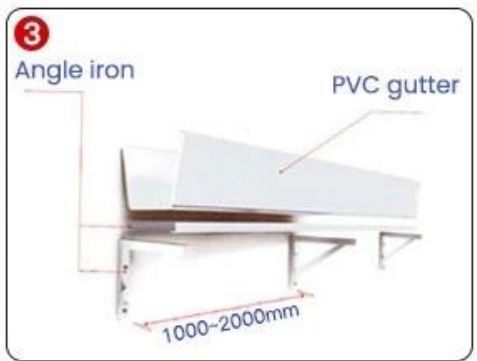
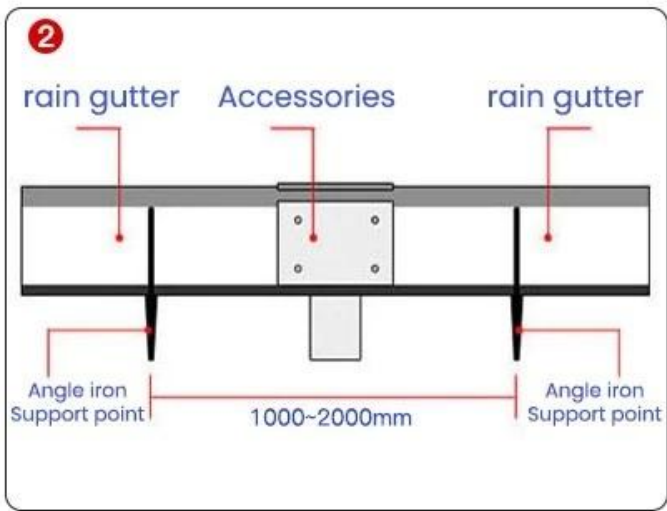
GLASS GLUE PORTABLE INSTALLATION

Quick installation in 2 minutes
Compared with traditional fixed rivets,
it saves time, effort and worry



Trust comes from quality

INSTALLATION INSTRUCTIONS



1. The gutter system should be installed on a solid surface, and the slope should be 1.5-1.8% towards the drain end. The gutter should be installed in a way that it is not damaged by the roof tiles. The gutter should be installed in a way that it is not damaged by the roof tiles.
2. The gutter should be installed in a way that it is not damaged by the roof tiles. The gutter should be installed in a way that it is not damaged by the roof tiles.
3. The gutter should be installed in a way that it is not damaged by the roof tiles. The gutter should be installed in a way that it is not damaged by the roof tiles.
4. The gutter should be installed in a way that it is not damaged by the roof tiles. The gutter should be installed in a way that it is not damaged by the roof tiles.
5. The gutter should be installed in a way that it is not damaged by the roof tiles. The gutter should be installed in a way that it is not damaged by the roof tiles.

Project

Trust comes from quality

Real case, real power

Selected engineering cases







Trust comes from quality

THE PRODUCT IS VERY VERSATILE

Versatility leads to creative life



Family daily use



The villa receives water



Breeding gutters



Factory drainage



Agricultural irrigation



Planting hydroponics

Our Factory

12 YEARS

OF FOCUS ON GUTTER TECHNOLOGY

...

Trust comes from quality

SOURCE MANUFACTURER QUALITY ASSURANCE

"Win tomorrow with the trust of quality"



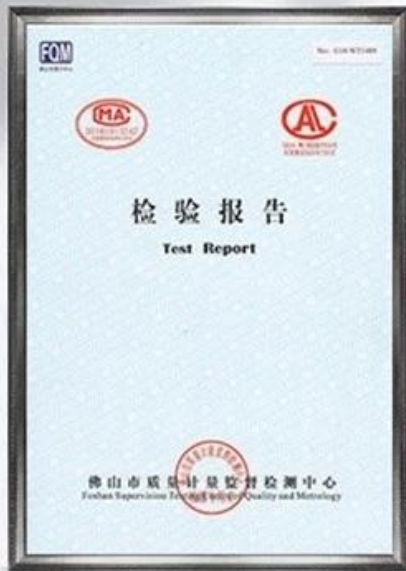
12years	34840m²	25,000m
of industry experience	meters of factory area	average daily output

Certificate

Trust comes from quality

AUTHORITATIVE ORGANIZATION INSPECTION

There is a certificate and guarantee and only with strength can you rest assured



1. ש: מהו קו המוצרים שלך?

ואביזרים PPR צינורות, PVC צינורות, PVC ת: אנו מתמחים בצינורות

2. ש: האם אתה יצרן?

Hengjiang ת: כן, אנחנו מפעל הממוקם בעיר פושאן, מחוז ננהאי, העיר דנזאו, כביש חדש יותר מ-10 שנות ניסיון בתעשייה

3. ש: אם אני רוצה לקבל הצעת מחיר, איזה מידע עלי להודיע?

תשובה:

(אורך, עובי x גובה x גודל המוצר (רוחב (1)

צבע (2)

כמות (3)

4. ש: האם נוכל להדפיס את הלוגו או שם החברה שלנו על המוצר או האריזה שלך?

ת: כן, אתה יכול

5. ש: מהו טווח התשלום?

T/T, Western Union, כמו גם את ההפקדות העליונות של 30% של L/C או T/T ת: אנו מקבלים

6. ש: האם המדגם חינם?

ת: אנחנו יכולים לשלוח דוגמאות בתוך 5 ימים, אבל את עלות המשלוח צריך לשלם על ידך

כאשר יש לנו הזמנה רשמית, העלות שלו תתאושש

7. ש: איך לשלוח באיכות שלך?

ת: אנו בוחרים בקפדנות חומרי גלם באיכות גבוהה ובודקים בקביעות בקרת איכות במהלך הייצור

8. ש: כמה זמן צריך להיות תאריך המשלוח שלך?

ת: בדרך כלל 15 ימים לאחר קבלת הפיקדון, זה תלוי גם במוצר ובכמות שלך