

QUALITY RAIN GUTTER

Made of PVC, resistant to pressure and corrosion, durable

Feeding gutter | planting gutter | incubation gutter | rain gutter



Trust comes from quality

PRODUCT FEATURE DISPLAY



01

new raw material

Using high-quality raw materials, no recycled materials, green environmental protection, long life



02

Thickened load-bearing

PVC material has strong bending resistance and impact toughness



03

Resistance corrosion

Long-term resistance to chemical substances such as acid, alkali and salt corrosion

Trust comes from quality

Product Information



*Dimensions are approximate and may vary slightly due to manufacturing tolerances.

| Part Name | Dimensions | Notes |
|-----------|-----------------------------|-------------------------|
| Segment 1 | 14cm x 16cm 19cm x 2.5mm | Standard gutter profile |
| Segment 2 | 18cm x 20cm 25cm x 2.8mm | |
| Segment 3 | 25cm x 28cm 35cm x 3.8mm | |
| Segment 4 | | |

For more information, please visit our website or contact our customer service team.

Accessories

Trust comes from quality

RAIN GUTTER ACCESSORIES

Complete accessories, selected quality



Joiner



End cap



90° angle



Drop outlet



Drain end cap

Advantage

IT'S ALL RAIN GUTTERS, WHY ARE WE MORE PROFESSIONAL?

PRODUCT COMPARISON

ZHONGXINGCHENG RAIN GUTTERS



OTHER PEOPLE'S FACTORY GUTTER RAIN GUTTER



Standard 2.5,
maximum thickness 4.5



The thickness is only 2.2,
which is not durable



New imported raw materials



Recycled material, low cost



Excellent workmanship,
not afraid of trampling



Cut corners and
be easily damaged

Trust comes from quality

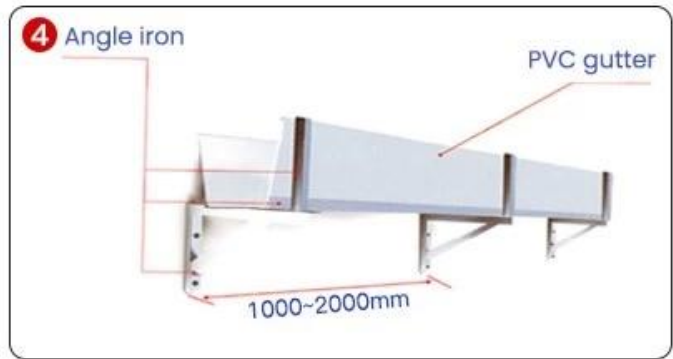
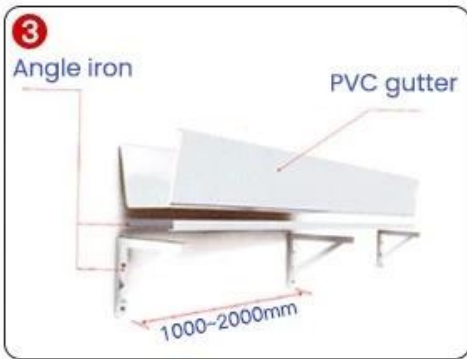
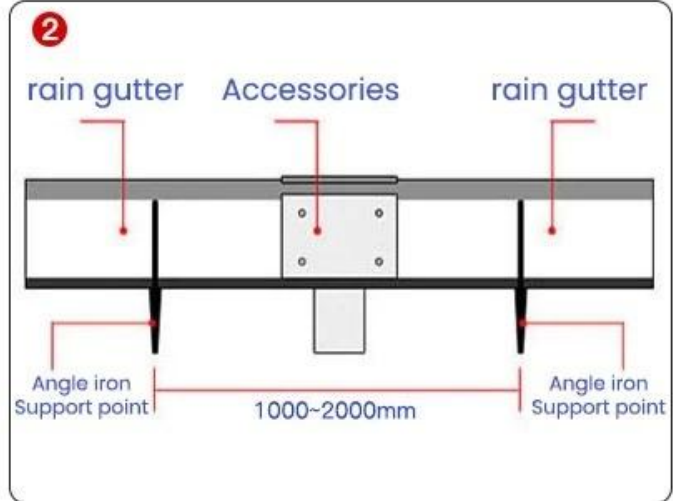
GLASS GLUE PORTABLE INSTALLATION

Quick installation in 2 minutes
Compared with traditional fixed rivets,
it saves time, effort and worry



Trust comes from quality

INSTALLATION INSTRUCTIONS



1. 安裝前請先檢查屋頂坡度，坡度應在 1.5-1.8% 之間，若坡度不足，請先進行屋頂坡度調整，否則會導致排水不暢。

2. 安裝時請先將 PVC 水槽安裝在屋頂，再將角鐵支撐架安裝在水槽下方，支撐架間距為 1000-2000mm。

3. 安裝時請先將 PVC 水槽安裝在屋頂，再將角鐵支撐架安裝在水槽下方，支撐架間距為 1000-2000mm。

4. 安裝時請先將 PVC 水槽安裝在屋頂，再將角鐵支撐架安裝在水槽下方，支撐架間距為 1000-2000mm。

5. 安裝時請先將 PVC 水槽安裝在屋頂，再將角鐵支撐架安裝在水槽下方，支撐架間距為 1000-2000mm。

Project

Trust comes from quality

Real case, real power

Selected engineering cases







Trust comes from quality

THE PRODUCT IS VERY VERSATILE

Versatility leads to creative life



Family daily use



The villa receives water



Breeding gutters



Factory drainage



Agricultural irrigation



Planting hydroponics

Our Factory

12 YEARS OF FOCUS ON GUTTER TECHNOLOGY

...

Trust comes from quality

SOURCE MANUFACTURER QUALITY ASSURANCE

"Win tomorrow with the trust of quality"



12years | **34840m²** | **25,000m**
of industry experience | meters of factory area | average daily output

Certificate

Trust comes from quality

AUTHORITATIVE ORGANIZATION INSPECTION

There is a certificate and guarantee and only with strength can you rest assured



FAQ

1.Q: 如何選擇合適的管材？

A: 根據不同的應用場景，我們提供 PVC 管、PPR 管、PE 管等各種規格和材質的管材。

2.Q: 貴公司的產品質量如何保證？

答: 我們擁有先進的生產設備和嚴格的質量控制體系，確保每一批產品都符合國家標準。我們的工廠位於 Foshan City, Nanhai District, Danzao Town, Hengjiang New Road，交通便利，歡迎參觀。

3.Q: 貴公司的產品價格如何？

答: 價格如下：

(1) 根據不同的規格和數量，價格有所不同。

(2) 價格表

(3) 價格表

4.Q: 貴公司的產品是否通過認證？

答: 是的，我們通過了 ISO 9001 認證。

5.Q: 貴公司的產品是否提供樣品？

答: 是的，我們提供 T/T 或 L/C 的樣品，30% 預付款，T/T, Western Union,

6.Q: 貴公司的產品是否提供安裝服務？

答: 是的，我們提供專業的安裝服務，經驗豐富，技術精湛。我們擁有 5 年多的安裝經驗，確保每一個項目都能順利完成。

7.Q: 貴公司的產品是否提供維修服務？

A: 是的，我們提供專業的維修服務，經驗豐富，技術精湛。我們擁有 5 年多的維修經驗，確保每一個項目都能順利完成。

8.Q: 貴公司的產品是否提供培訓服務？

答: 是的，我們提供 15 天的專業培訓服務，經驗豐富，技術精湛。我們擁有 5 年多的培訓經驗，確保每一個項目都能順利完成。