



# QUALITY RAIN GUTTER

Made of PVC, resistant to pressure and corrosion, durable

Feeding gutter | planting gutter | incubation gutter | rain gutter



Trust comes from quality

## PRODUCT FEATURE DISPLAY



01

**new raw material**

Using high-quality raw materials, no recycled materials, green environmental protection, long life



02

**Thickened load-bearing**

PVC material has strong bending resistance and impact toughness



03

**Resistance corrosion**

Long-term resistance to chemical substances such as acid, alkali and salt corrosion



Trust comes from quality

# RAIN GUTTER ACCESSORIES

Complete accessories, selected quality



Joiner



End cap



90°angle



Drop outlet



Drain end cap

Advantage



# IT'S ALL RAIN GUTTERS, WHY ARE WE MORE PROFESSIONAL?

## PRODUCT COMPARISON

### ZHONGXINGCHENG RAIN GUTTERS



### OTHER PEOPLE'S FACTORY GUTTER RAIN GUTTER



2.5mm thickened small sink

4.5mm thickened large sink



Standard 2.5,  
maximum thickness 4.5



160 gutter with a thickness of 2.2m



The thickness is only 2.2,  
which is not durable



New imported raw materials



Recycled material, low cost



Excellent workmanship,  
not afraid of trampling



Cut corners and  
be easily damaged

Trust comes from quality

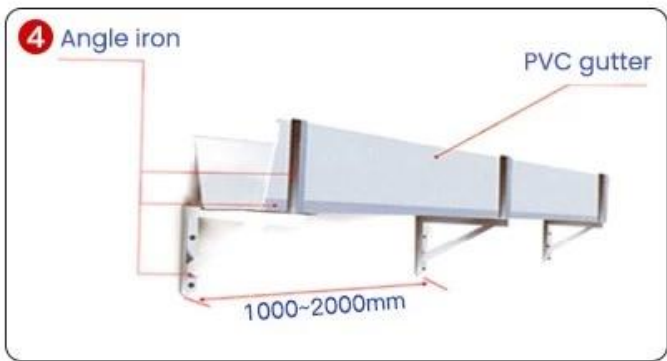
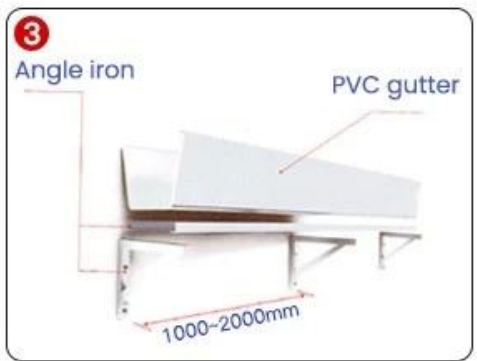
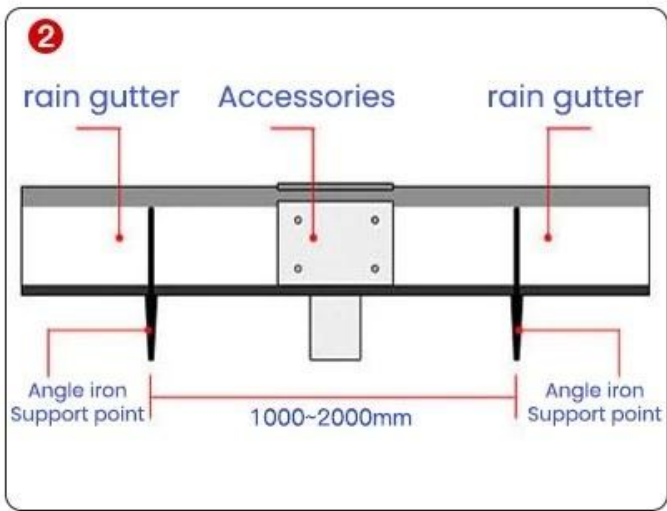
## GLASS GLUE PORTABLE INSTALLATION

Quick installation in 2 minutes  
Compared with traditional fixed rivets,  
it saves time, effort and worry



Trust comes from quality

# INSTALLATION INSTRUCTIONS



1. 安裝前請先檢查所有零件是否齊全，並請將安裝位置之屋頂表面清潔乾淨，如有必要，請將屋頂表面塗抹防腐劑，以延長屋頂之使用壽命。安裝時，請將屋頂坡度控制在 1.5-1.8 之間，以確保雨水能順利排出。

2. 安裝時，請將雨水槽與屋頂表面緊密貼合，並請將雨水槽與屋頂表面之縫隙填滿密封膠，以確保雨水不會滲透。

3. 安裝時，請將雨水槽與屋頂表面緊密貼合，並請將雨水槽與屋頂表面之縫隙填滿密封膠，以確保雨水不會滲透。

4. 安裝時，請將雨水槽與屋頂表面緊密貼合，並請將雨水槽與屋頂表面之縫隙填滿密封膠，以確保雨水不會滲透。安裝時，請將雨水槽與屋頂表面之距離控制在 50% 以內。

5. 安裝時，請將雨水槽與屋頂表面緊密貼合，並請將雨水槽與屋頂表面之縫隙填滿密封膠，以確保雨水不會滲透。安裝時，請將雨水槽與屋頂表面之距離控制在 18 公分以內。



# Project

Trust comes from quality

# Real case, real power

Selected engineering cases













Trust comes from quality

# THE PRODUCT IS VERY VERSATILE

Versatility leads to creative life



Family daily use



The villa receives water



Breeding gutters



Factory drainage



Agricultural irrigation



Planting hydroponics

Our Factory

# 12 YEARS OF FOCUS ON GUTTER TECHNOLOGY

...

Trust comes from quality

## SOURCE MANUFACTURER QUALITY ASSURANCE

"Win tomorrow with the trust of quality"



<b>12years</b> of industry experience	<b>34840m<sup>2</sup></b> meters of factory area	<b>25,000m</b> average daily output
--	---	--

# Certificate







# FAQ

**1.Q: 如何選擇合適的管徑和壁厚？**

答：根據設計流量、管長、管徑、管壁厚度、PVC, 鋼管 PVC, 鋼管 PPR 等參數進行計算。

**2.Q: 如何選擇合適的管廠？**

答：本公司在廣東省佛山市南海區丹灶鎮江平新路  
設有生產廠房，總面積約 10 萬平方米。

**3.Q: 如何選擇合適的管廠？**

答：

(1) 管廠規模 (管廠面積 x 管廠數量, 管廠)

(2) 管廠

(3) 管廠

**4.Q: 如何選擇合適的管廠？**

答：管廠規模

**5.Q: 如何選擇合適的管廠？**

答：管廠規模 T/T 管廠 L/C 管廠規模 30% 管廠 T/T, Western Union

**6.Q: 如何選擇合適的管廠？**

答：管廠規模 5 管廠 管廠規模

管廠規模 管廠規模

**7.Q: 如何選擇合適的管廠？**

答：管廠規模 管廠規模 管廠規模

**8.Q: 如何選擇合適的管廠？**

答：管廠規模 15 管廠規模