

QUALITY RAIN GUTTER

Made of PVC, resistant to pressure and corrosion, durable

Feeding gutter | planting gutter | incubation gutter | rain gutter



Trust comes from quality

PRODUCT FEATURE DISPLAY



01

new raw material

Using high-quality raw materials, no recycled materials, green environmental protection, long life



02

Thickened load-bearing

PVC material has strong bending resistance and impact toughness



03

Resistance corrosion

Long-term resistance to chemical substances such as acid, alkali and salt corrosion

Trust comes from quality

RAIN GUTTER ACCESSORIES

Complete accessories, selected quality



Joiner



End cap



90° angle



Drop outlet



Drain end cap

Advantage

IT'S ALL RAIN GUTTERS, WHY ARE WE MORE PROFESSIONAL?

PRODUCT COMPARISON

ZHONGXINGCHENG RAIN GUTTERS



OTHER PEOPLE'S FACTORY GUTTER RAIN GUTTER



Standard 2.5,
maximum thickness 4.5



The thickness is only 2.2,
which is not durable



New imported raw materials



Recycled material, low cost



Excellent workmanship,
not afraid of trampling



Cut corners and
be easily damaged

Trust comes from quality

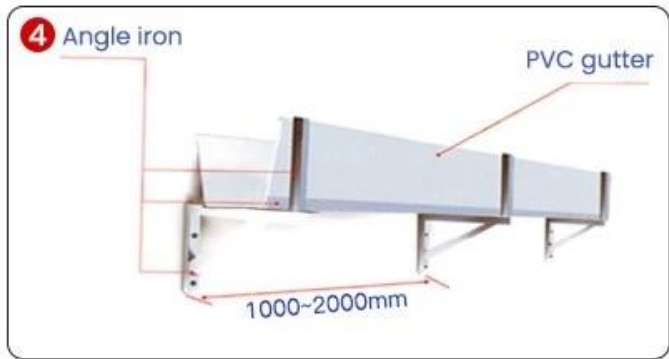
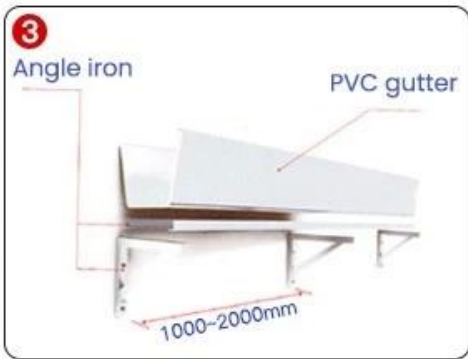
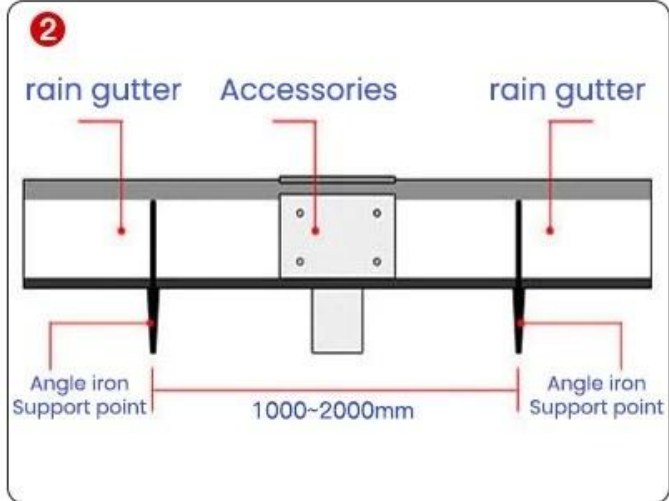
GLASS GLUE PORTABLE INSTALLATION

Quick installation in 2 minutes
Compared with traditional fixed rivets,
it saves time, effort and worry



Trust comes from quality

INSTALLATION INSTRUCTIONS



1. 1. 按照本說明書的安裝步驟進行安裝。安裝前請先檢查雨水管的長度，如果長度超過 1.5-1.8 米，請將雨水管切成兩段，每段長度不超過 1.5-1.8 米。
2. 2. 將雨水管安裝在屋頂，並確保雨水管與屋頂的坡度一致。安裝時請注意雨水管的坡度，應為 1% 左右。
3. 3. 將雨水管安裝在屋頂，並確保雨水管與屋頂的坡度一致。安裝時請注意雨水管的坡度，應為 1% 左右。
4. 4. 將雨水管安裝在屋頂，並確保雨水管與屋頂的坡度一致。安裝時請注意雨水管的坡度，應為 1% 左右。
5. 5. 安裝完雨水管後，請檢查雨水管的安裝質量。如果發現雨水管有鬆動或變形的情況，請及時進行調整。安裝完雨水管後，請檢查雨水管的安裝質量。如果發現雨水管有鬆動或變形的情況，請及時進行調整。

Project

Trust comes from quality

Real case, real power

Selected engineering cases







Trust comes from quality

THE PRODUCT IS VERY VERSATILE

Versatility leads to creative life



Family daily use



The villa receives water



Breeding gutters



Factory drainage



Agricultural irrigation



Planting hydroponics

Our Factory

12 YEARS OF FOCUS ON GUTTER TECHNOLOGY

...

Trust comes from quality

SOURCE MANUFACTURER QUALITY ASSURANCE

"Win tomorrow with the trust of quality"



12years of industry experience	34840m² meters of factory area	25,000m average daily output
--	---	--

Certificate

Trust comes from quality

AUTHORITATIVE ORGANIZATION INSPECTION

There is a certificate and guarantee and only with strength can you rest assured



FAQ

1.Q: 如何選擇合適的管徑和壁厚？

A: 根據您的應用需求，我們提供 PVC 管、PPR 管等各種規格。

2.Q: 貴公司的產品符合哪些標準？

A: 我們位於 Foshan City, Nanhai District, Danzao Town, Hengjiang New Road，所有產品均符合 ISO 9001 標準。

3.Q: 如何進行產品質量檢驗？

檢驗方法：

(1) 外觀檢查 (長度 x 直徑 x 壁厚, 重量)

(2) 硬度

(3) 拉伸試驗

4.Q: 如何進行產品安裝和維護？

請參閱我們的安裝說明書。

5.Q: 如何進行產品包裝和運輸？

我們提供 T/T 或 L/C 的付款方式，30% 預付款，T/T, Western Union,

6.Q: 如何進行產品價格查詢？

請提供您的具體需求，我們將為您提供 5 個工作日內的報價。

7.Q: 如何進行產品樣品申請？

A: 我們歡迎您隨時索取樣品，請提供您的聯繫方式和需求。

8.Q: 如何進行產品退換？

我們提供 15 天的退換政策，詳情請參閱我們的退換政策。