

QUALITY RAIN GUTTER

Made of PVC, resistant to pressure and corrosion, durable

Feeding gutter | planting gutter | incubation gutter | rain gutter



Trust comes from quality

PRODUCT FEATURE DISPLAY



01

new raw material

Using high-quality raw materials, no recycled materials, green environmental protection, long life



02

Thickened load-bearing

PVC material has strong bending resistance and impact toughness



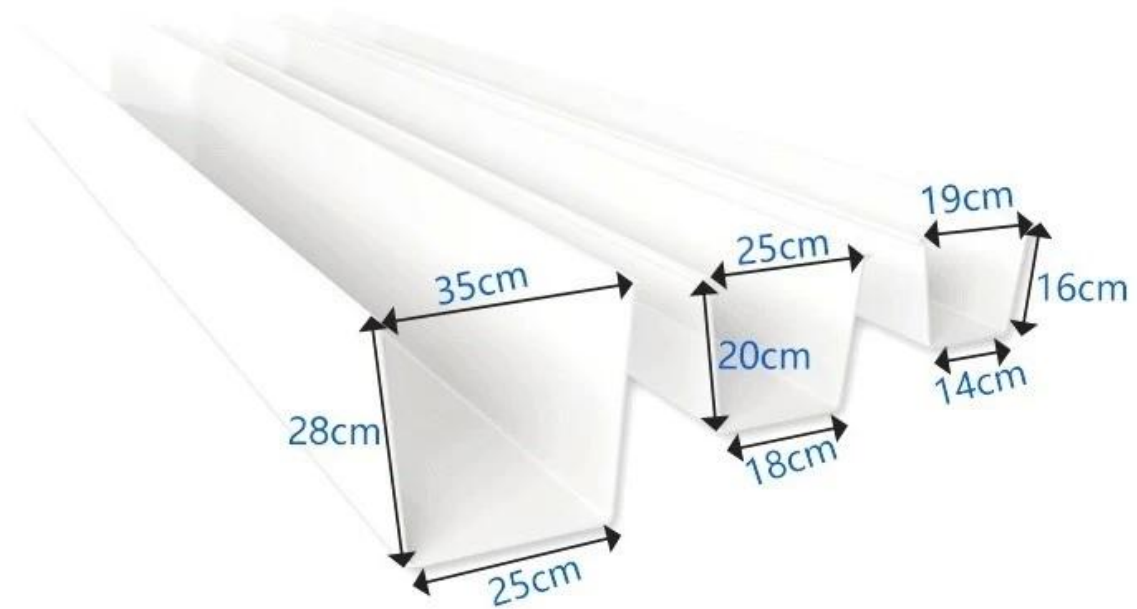
03

Resistance corrosion

Long-term resistance to chemical substances such as acid, alkali and salt corrosion

Trust comes from quality

Product Information



*Dimensions are approximate and may vary slightly due to manufacturing tolerances.

Part Name	Dimensions	Material
Downspout	14cm x 16cm 19cm, 2.5mm	Aluminum
Elbow	18cm x 20cm 25cm, 2.8mm	Aluminum
Section	25cm x 28cm 35cm, 3.8mm	Aluminum

For more information, please visit our website or contact our customer service team.

Accessories

Trust comes from quality

RAIN GUTTER ACCESSORIES

Complete accessories, selected quality



Joiner



End cap



90°angle



Drop outlet



Drain end cap

Advantage

IT'S ALL RAIN GUTTERS, WHY ARE WE MORE PROFESSIONAL?

PRODUCT COMPARISON

ZHONGXINGCHENG RAIN GUTTERS



OTHER PEOPLE'S FACTORY GUTTER RAIN GUTTER



2.5mm thickened small sink

4.5mm thickened large sink



Standard 2.5,
maximum thickness 4.5



160 gutter with a thickness of 2.2m



The thickness is only 2.2,
which is not durable



New imported raw materials



Recycled material, low cost



Excellent workmanship,
not afraid of trampling



Cut corners and
be easily damaged

Trust comes from quality

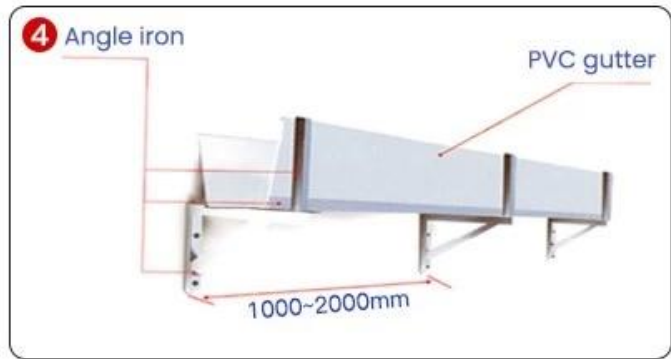
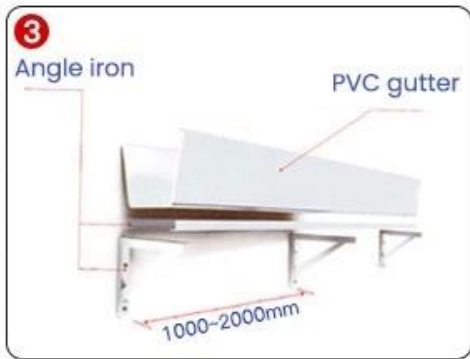
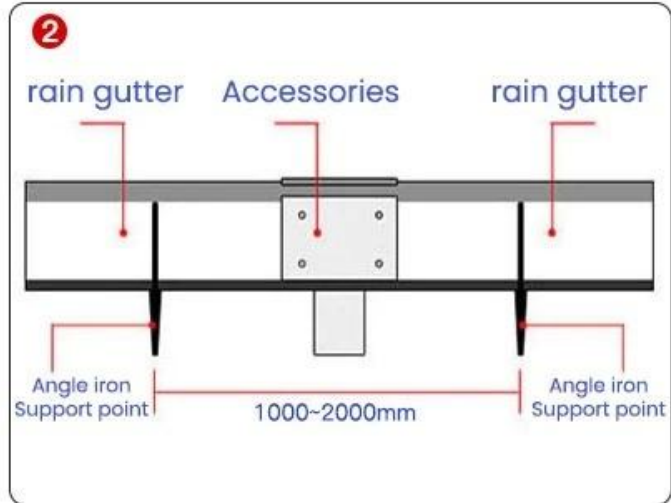
GLASS GLUE PORTABLE INSTALLATION

Quick installation in 2 minutes
Compared with traditional fixed rivets,
it saves time, effort and worry



Trust comes from quality

INSTALLATION INSTRUCTIONS



1. 安裝前請先將雨水槽清潔乾淨，並檢查雨水槽是否有損壞或變形的情況。雨水槽的安裝坡度應為 1.5-1.8%，且每 2 公尺應設置一個排水口。

2. 雨水槽的安裝應避免直接安裝在屋頂的瓦片上，應使用專用的安裝支架。

3. 雨水槽的安裝應避免在屋頂的屋脊處安裝，應安裝在屋頂的斜坡處。

4. 雨水槽的安裝應避免在屋頂的屋脊處安裝，應安裝在屋頂的斜坡處。

5. 雨水槽的安裝應避免在屋頂的屋脊處安裝，應安裝在屋頂的斜坡處。

Project

Trust comes from quality

Real case, real power

Selected engineering cases







Trust comes from quality

THE PRODUCT IS VERY VERSATILE

Versatility leads to creative life



Family daily use



The villa receives water



Breeding gutters



Factory drainage



Agricultural irrigation



Planting hydroponics

Our Factory

12 YEARS

OF FOCUS ON GUTTER TECHNOLOGY

...

Trust comes from quality

SOURCE MANUFACTURER QUALITY ASSURANCE

"Win tomorrow with the trust of quality"



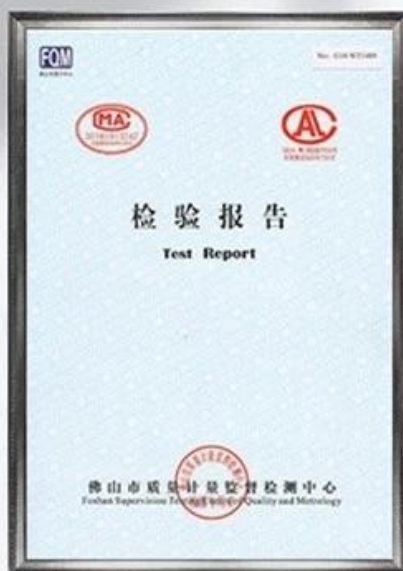
12years | **34840m²** | **25,000m**
of industry experience | meters of factory area | average daily output

Certificate

Trust comes from quality

AUTHORITATIVE ORGANIZATION INSPECTION

There is a certificate and guarantee and only with strength can you rest assured



FAQ

1.Q: 如何選擇合適的管徑和壁厚？

A: 根據不同的應用場景，我們提供 PVC 管、PPR 管等各種規格。

2.Q: 貴公司的產品質量如何保證？

答: 我們位於 Foshan City, Nanhai District, Danzao Town, Hengjiang New Road，擁有先進的生產設備和嚴格的質量控制體系。

3.Q: 貴公司的產品價格如何？

答: 價格如下：

(1) 根據管徑和壁厚 (管徑 x 壁厚, 單位)

(2) 價格

(3) 運費

4.Q: 貴公司的產品有各種規格嗎？

答: 是的，我們提供多種規格。

5.Q: 貴公司的產品有各種顏色嗎？

答: 我們提供 T/T 和 L/C 等各種顏色，30% 預付 T/T, Western Union,

6.Q: 貴公司的產品有各種規格嗎？

答: 我們提供各種規格，5 年保用期。

我們提供各種規格，5 年保用期。

7.Q: 貴公司的產品有各種規格嗎？

A: 我們提供各種規格，5 年保用期。

我們提供各種規格，5 年保用期。

8.Q: 貴公司的產品有各種規格嗎？

答: 我們提供 15 年保用期。