

Parameters

Parameters are defined in the following table. PVC parameters are defined in the following table. ([PVC Parameters](#))

Parameter Name:	Parameter Value
Parameter Name:	Parameter Value
Parameter Name:	Parameter Value
Parameter Name:	PVC
Parameter Name:	Parameter Value
Parameter Name:	Parameter Value
Parameter Name:	Parameter Value
Parameter Name:	14 mm. x 16 mm. / 18 mm. x 20 mm. / 25 mm. x 28 mm.
Parameter Name:	Parameter Value
Parameter Name:	Parameter Value 5 mm
Parameter Name:	Parameter Value
Parameter Name:	Parameter Value
Parameter Name:	Parameter Value/Parameter Value
Parameter Name:	Parameter Value

QUALITY RAIN GUTTER

Made of PVC, resistant to pressure and corrosion, durable

Feeding gutter | planting gutter | incubation gutter | rain gutter



Trust comes from quality

PRODUCT FEATURE DISPLAY



01

new raw material

Using high-quality raw materials, no recycled materials, green environmental protection, long life



02

Thickened load-bearing

PVC material has strong bending resistance and impact toughness



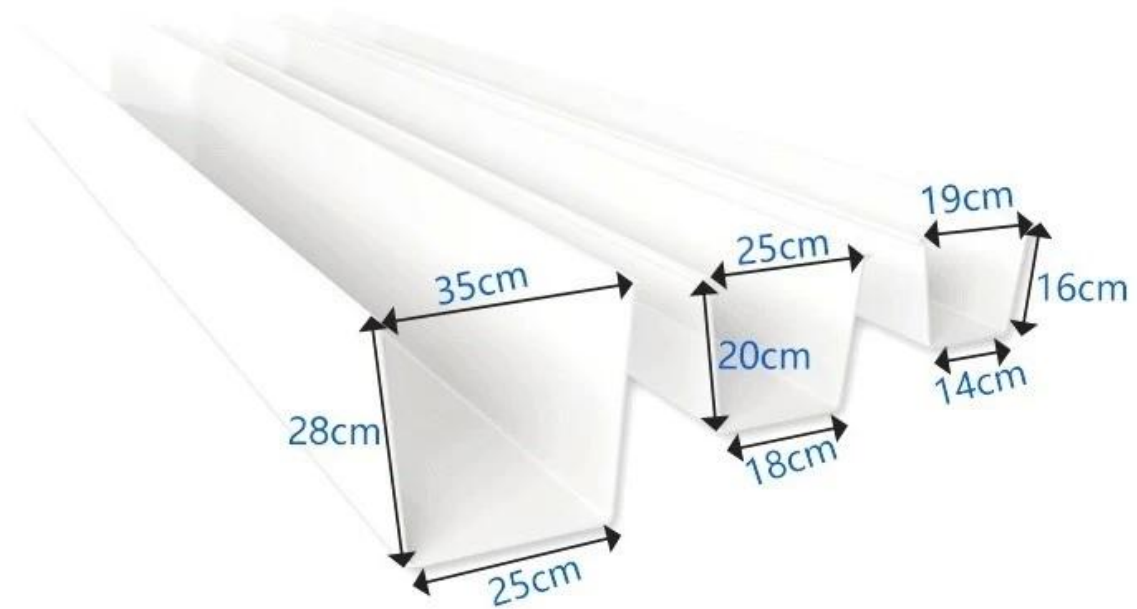
03

Resistance corrosion

Long-term resistance to chemical substances such as acid, alkali and salt corrosion

Trust comes from quality

Product Information



* 所有尺寸均以毫米為單位，如有誤差，恕不另行通知。

產品名稱	規格	備註
14吋	140mm x 16mm	所有尺寸均以毫米為單位，如有誤差，恕不另行通知。
19吋	190mm x 2.5mm	
18吋	180mm x 20mm	
25吋	250mm x 2.8mm	
25吋	250mm x 28mm	
35吋	350mm x 3.8mm	

所有尺寸均以毫米為單位，如有誤差，恕不另行通知。

Accessories

Trust comes from quality

RAIN GUTTER ACCESSORIES

Complete accessories, selected quality



Joiner



End cap



90° angle



Drop outlet



Drain end cap

Advantage

IT'S ALL RAIN GUTTERS, WHY ARE WE MORE PROFESSIONAL?

PRODUCT COMPARISON

ZHONGXINGCHENG RAIN GUTTERS



OTHER PEOPLE'S FACTORY GUTTER RAIN GUTTER



2.5mm thickened small sink

4.5mm thickened large sink



Standard 2.5,
maximum thickness 4.5



160 gutter with a thickness of 2.2m



The thickness is only 2.2,
which is not durable



New imported raw materials



Recycled material, low cost



Excellent workmanship,
not afraid of trampling



Cut corners and
be easily damaged

Trust comes from quality

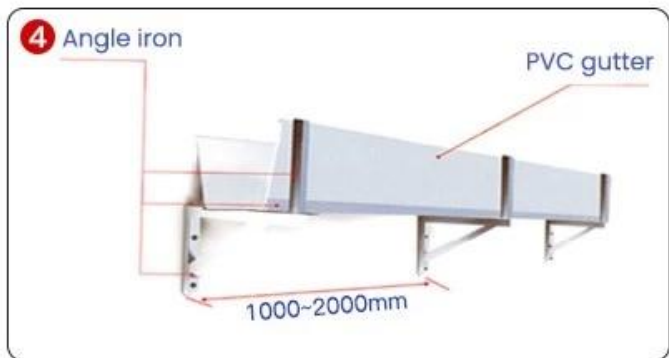
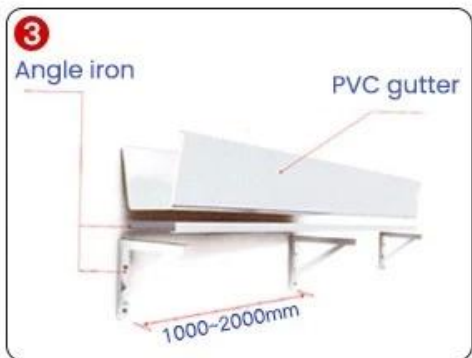
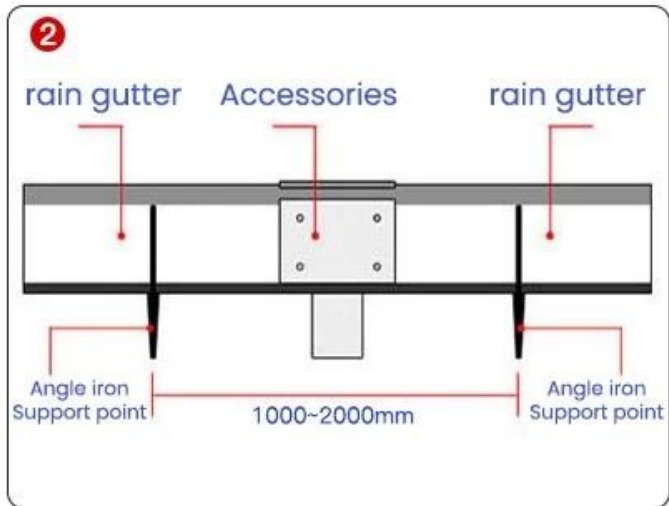
GLASS GLUE PORTABLE INSTALLATION

Quick installation in 2 minutes
Compared with traditional fixed rivets,
it saves time, effort and worry



Trust comes from quality

INSTALLATION INSTRUCTIONS



1. 1. 检查屋顶坡度，确保雨水能够顺利流入落水管。坡度应在 1.5-1.8 度之间。落水管应每隔 1.5-1.8 米安装一个。落水管应安装在屋檐下方，且应垂直于屋檐。落水管应安装在屋檐下方，且应垂直于屋檐。

2. 2. 检查落水管的直径，确保其与屋顶的排水量相匹配。落水管的直径应在 100-150 毫米之间。落水管的直径应在 100-150 毫米之间。

3. 3. 检查落水管的材质，确保其耐腐蚀且耐用。落水管的材质应为 PVC 或铝。落水管的材质应为 PVC 或铝。

4. 4. 检查落水管的安装位置，确保其不会影响屋顶的结构。落水管应安装在屋檐下方，且应垂直于屋檐。落水管应安装在屋檐下方，且应垂直于屋檐。

5. 5. 检查落水管的密封性，确保其能够有效排水。落水管的密封性应通过检查落水管与屋檐的连接处来确认。落水管的密封性应通过检查落水管与屋檐的连接处来确认。

Project

Trust comes from quality

Real case, real power

Selected engineering cases







Trust comes from quality

THE PRODUCT IS VERY VERSATILE

Versatility leads to creative life



Family daily use



The villa receives water



Breeding gutters



Factory drainage



Agricultural irrigation



Planting hydroponics

Our Factory

12 YEARS

OF FOCUS ON GUTTER TECHNOLOGY

...

Trust comes from quality

SOURCE MANUFACTURER QUALITY ASSURANCE

"Win tomorrow with the trust of quality"



12years | **34840m²** | **25,000m**
of industry experience | meters of factory area | average daily output

Certificate

Trust comes from quality

AUTHORITATIVE ORGANIZATION INSPECTION

There is a certificate and guarantee and only with strength can you rest assured



FAQ

1.Q: 如何選擇合適的管徑和壁厚？

A: 根據您的應用需求，我們提供 PVC 管、PVC 管、PPR 管等各種規格。

2.Q: 如何選擇合適的顏色？

A: 我們提供多種顏色選擇，如白色、灰色、藍色等。地址：Foshan City, Nanhai District, Danzao Town, Hengjiang New Road 10 號。

3.Q: 如何選擇合適的安裝方法？

安裝方法：

(1) 使用專用工具（如管鉗、螺絲刀、鉋刀、鋸等）

(2) 切割

(3) 安裝

4.Q: 如何選擇合適的配件？

配件：各種規格

5.Q: 如何選擇合適的包裝方式？

包裝：根據您的要求，我們提供 T/T、L/C、30% T/T、Western Union 等方式。

6.Q: 如何選擇合適的規格？

規格：根據您的要求，我們提供 5 種規格。地址：Foshan City, Nanhai District, Danzao Town, Hengjiang New Road 10 號。

7.Q: 如何選擇合適的安裝位置？

A: 根據您的應用需求，我們提供各種安裝位置。地址：Foshan City, Nanhai District, Danzao Town, Hengjiang New Road 10 號。

8.Q: 如何選擇合適的安裝時間？

安裝時間：15 分鐘內完成安裝。地址：Foshan City, Nanhai District, Danzao Town, Hengjiang New Road 10 號。