

# Parameters

Our Foshan ZXC New Material Technology Co., Ltd. is house gutter, plant cultivation rain gutter, [UPVC Gutters Manufacturer China](#) provide customized and OEM services.

PVC gutter taking place of the metal gutter, anti-acid and alkali-resistant, nice out-looking and durable. Easy installation with high efficiency and low labor cost.

We the blue pvc rain water gutter bears extremely strong toughness, comparing with the common gutter, it solves the issues of short life span, transportation, being easily damage during the installation etc.

Warranty	More than 5 years
After-sale Service	Online technical support
Project Solution Capability	NONE
Application	Villa/ Hydroponics
Design Style	Contemporary
Place of Origin	Guangdong, China
Brand Name	ZXC
Product name	PVC Rainwater Gutter
Material	PVC
Key Word	Gutter
Size	Customizable
Usage	Roof Drain
Warranty	More than 5 years
Common size	14cmx 16cm.18cmx 20cm.25cmx 28CM
Performance	Acid and alkali resistant

# QUALITY RAIN GUTTER

Made of PVC, resistant to pressure and corrosion, durable

Feeding gutter | planting gutter | incubation gutter | rain gutter



Trust comes from quality

## PRODUCT FEATURE DISPLAY



01

**new raw material**

Using high-quality raw materials, no recycled materials, green environmental protection, long life



02

**Thickened load-bearing**

PVC material has strong bending resistance and impact toughness



03

**Resistance corrosion**

Long-term resistance to chemical substances such as acid, alkali and salt corrosion

Trust comes from quality

## Product Information



\*The length of this section is one meter, the longest can be six meters

Product name	Specification	Accessories
small gutter	Base width 14cm, height 16cm, face width 19cm, thickness 2.5mm	Drain seal drain seal flush joint corne
middle gutter	Base width 18cm, height 20cm, face width 25cm, thickness 2.8mm	
big gutter	Base width 25cm, height 28cm, face width 35cm, thickness 3.8mm	

Click [plant cultivation rain gutter supplier](#) to learn more

Accessories

Trust comes from quality

# RAIN GUTTER ACCESSORIES

Complete accessories, selected quality



Joiner



End cap



90° angle



Drop outlet



Drain end cap

Advantage

# IT'S ALL RAIN GUTTERS, WHY ARE WE MORE PROFESSIONAL?

## PRODUCT COMPARISON

### ZHONGXINGCHENG RAIN GUTTERS



### OTHER PEOPLE'S FACTORY GUTTER RAIN GUTTER



Standard 2.5,  
maximum thickness 4.5



The thickness is only 2.2,  
which is not durable



New imported raw materials



Recycled material, low cost



Excellent workmanship,  
not afraid of trampling



Cut corners and  
be easily damaged

Trust comes from quality

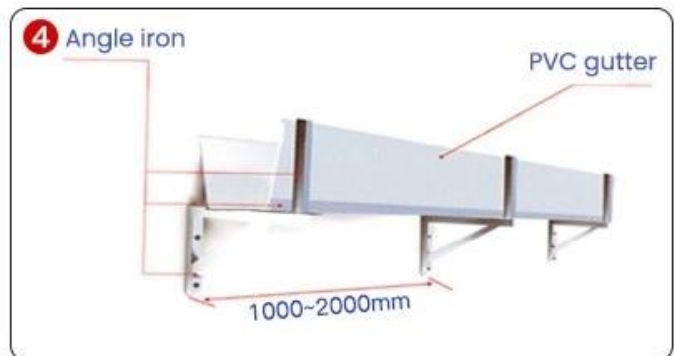
## GLASS GLUE PORTABLE INSTALLATION

Quick installation in 2 minutes  
Compared with traditional fixed rivets,  
it saves time, effort and worry



Trust comes from quality

# INSTALLATION INSTRUCTIONS



1. When installing the rain gutter, the bottom supporting frame should be made of steel frame, and the material should be sufficiently strong. The bottom frame should be in a straight line and there should be a supporting place every 1.5-1.8 meters. The two sides of the rain gutter must be protected by iron frames.

2. The two ends of the connection part of the rain gutter or the connection port should be supported by the supporting bracket respectively.

3. Do not open holes in any part of the rain gutter for drainage without authorization. This will affect the service life of the rain gutter, and special drainage fittings and water pipes are required to connect to the downpipe.

4. It must be pre-drilled during installation, and the diameter of the drilled hole should be 50% larger than the diameter of the screw, which is reserved for thermal expansion and contraction.



5. The outside temperature changes greatly. In order to prevent thermalexpansion and contraction, it is recommended that the installation ofthe entire gutter should not exceed 18 meters. If it is to be exceeded,segmental installation and segmental drainage must be carried out.



Project

Trust comes from quality

# Real case, real power

Selected engineering cases







Trust comes from quality

# THE PRODUCT IS VERY VERSATILE

Versatility leads to creative life



Family daily use



The villa receives water



Breeding gutters



Factory drainage



Agricultural irrigation



Planting hydroponics

Our Factory

# 12 YEARS

OF FOCUS ON GUTTER TECHNOLOGY

...

Trust comes from quality

## SOURCE MANUFACTURER QUALITY ASSURANCE

"Win tomorrow with the trust of quality"



<b>12years</b> of industry experience	<b>34840m<sup>2</sup></b> meters of factory area	<b>25,000m</b> average daily output
--	---	--

# Certificate

Trust comes from quality

# AUTHORITATIVE ORGANIZATION INSPECTION

There is a certificate and guarantee and only with strength can you rest assured





**1.Q: What is your product line?**

A: We specialize in PVC trunking, PVC pipe, PPR pipe and fittings.

**2.Q: Are you a manufacturer?**

A: Yes, We are a factory located in Foshan City, Nanhai District, Danzao Town, Hengjiang New Road. More than 10 years of industry experience.

**3.Q: If I want to get a quote, what information should I notify?**

Answer:

- (1) Product size (width x height x length, thickness).
- (2) Color.
- (3) Quantity.

**4.Q: Can we print our logo or company name on your product or packaging?**

A: Yes, you can.

**5.Q: What is the payment term?**

A: We accept T/T or L/C, as well as the top 30% deposits of T/T, Western Union,

**6.Q: Is the sample free?**

A: We can send samples within 5 days, but the shipping cost needs to be paid by you. When we have a formal order, its cost will rebound.

**7.Q: How to control your quality?**

A: We strictly select high quality raw materials and regularly check quality control during production.

**8.Q: How long should your delivery date be?**

A: Usually 15 days after receiving the deposit, it also depends on your product and quantity.